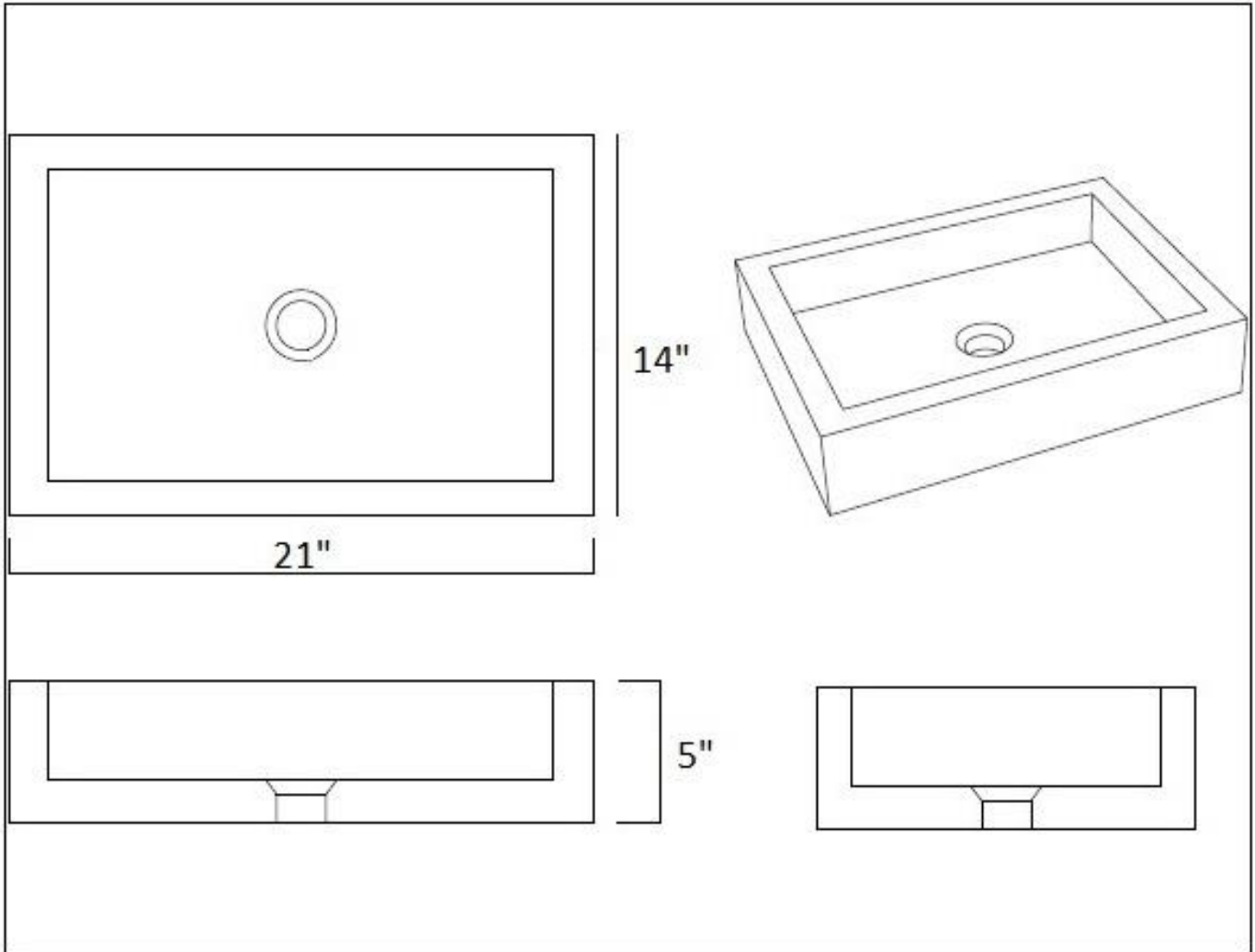




STROM
L I V I N G

Ph: (916) 638-2722 / Fax: (916) 638-2725

Installation Information - Item #P1148 Vessel Sink



This sink does not have an overflow. Use with our P0661 lav sink drain.

SIGN OF THE CRAB, LLC