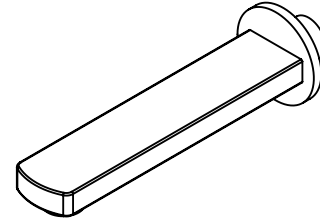




Features

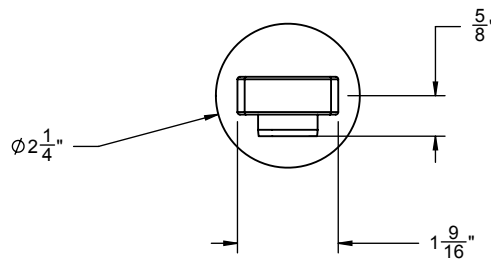
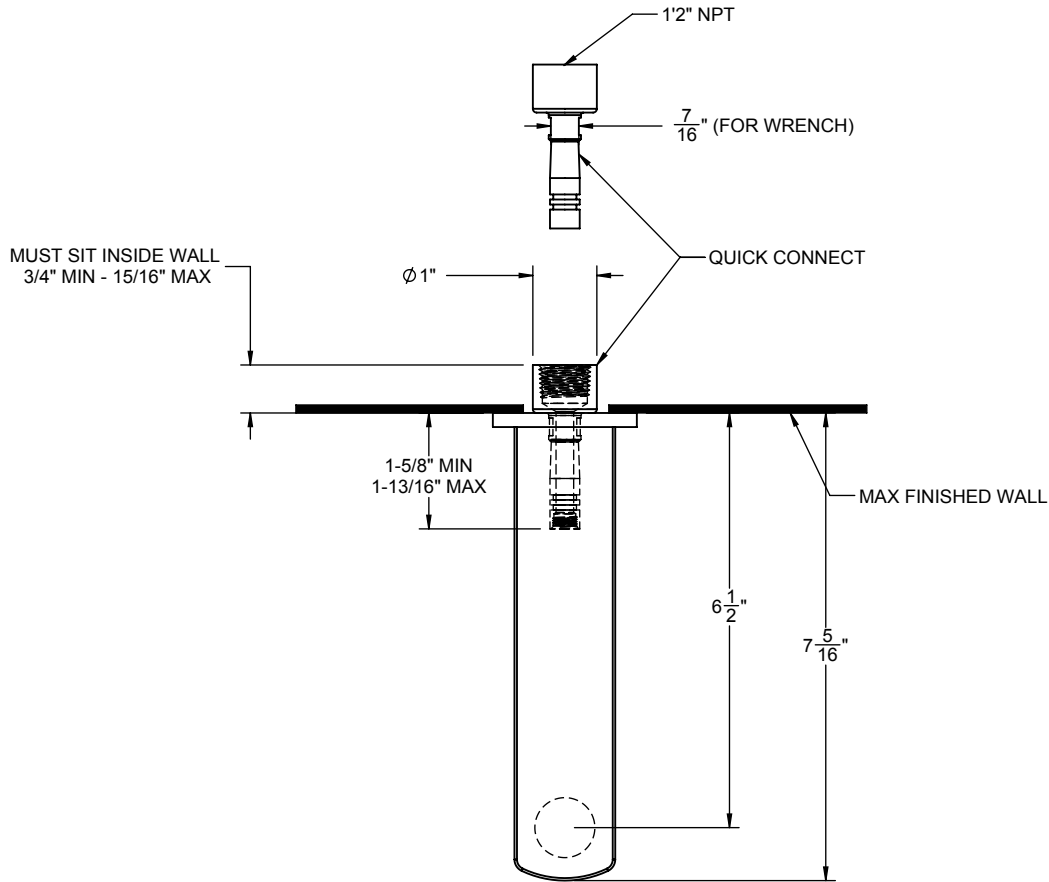
- 6 1/2" spout wall to center
- 10.0 gpm (37.8 L/m) max flow rate
- Quick connect
- All brass construction
- Over 30 finishes including 15 PVD finishes

TS-E4-E4



Codes/Standards Applicable

- Meets or exceeds the following at date of manufacture:
- ASME A112.18.1/CSA B125.1



THROUGH-HOLE SPECIFICATIONS		
MIN	RECOMENDED	MAX
SPOUT: Ø1-1/4"	Ø1-1/4"	Ø1-5/8"