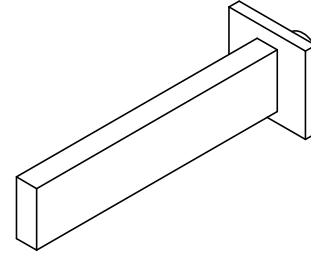




Features

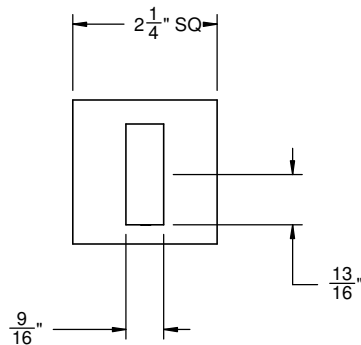
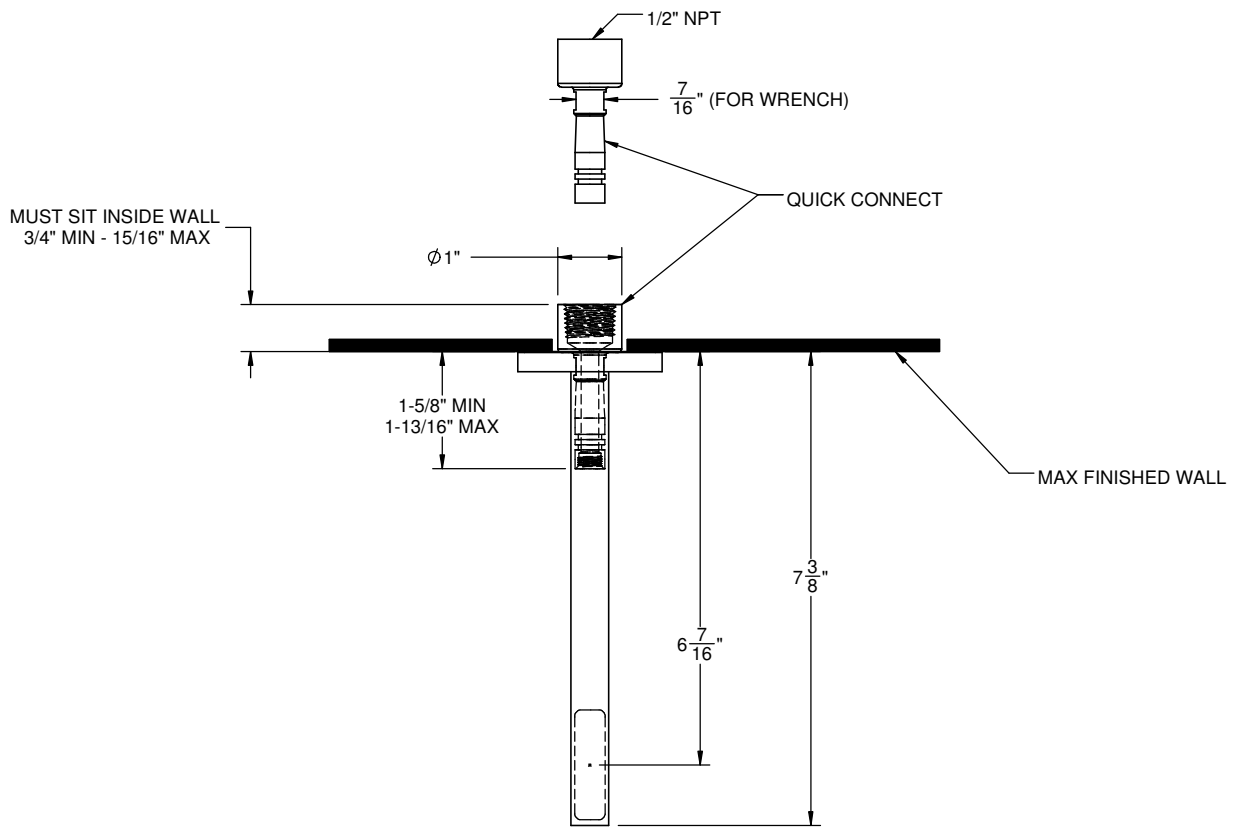
- 6 7/16" spout wall to center
- 10.0 gpm (37.8 L/m) max flow rate
- Quick connect
- Solid brass construction
- Over 30 finishes including 15 PVD finishes

TS-E3-77



Codes/Standards Applicable

- Meets or exceeds the following at date of manufacture:
- ASME A112.18.1/CSA B125.1



ALL DIMENSIONS SHOWN TO NEAREST 1/16"