



California Faucets®

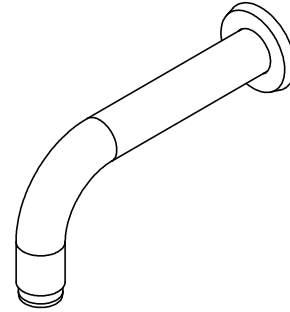
Tamalpais™

WALL TUB SPOUT

TS-74-74

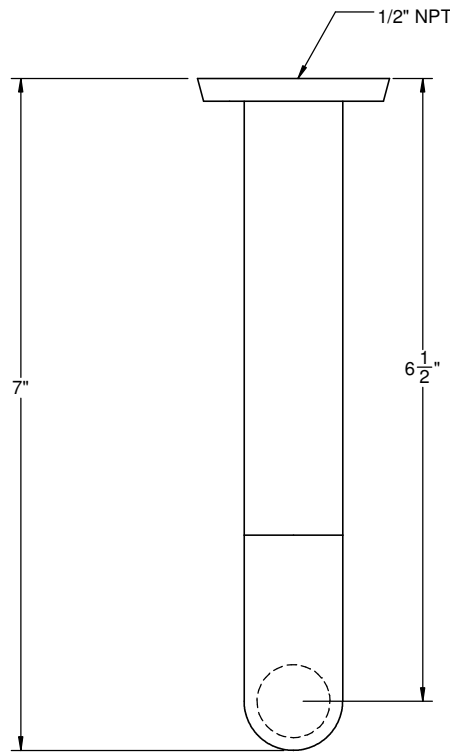
Features

- 6-1/2" wall to center
- Solid brass construction
- 16 gpm (60.6 L/min) maximum flow rate
- For use with StyleTherm, 3-VR or 2-VR valves
- Over 30 finishes including 15 PVD finishes

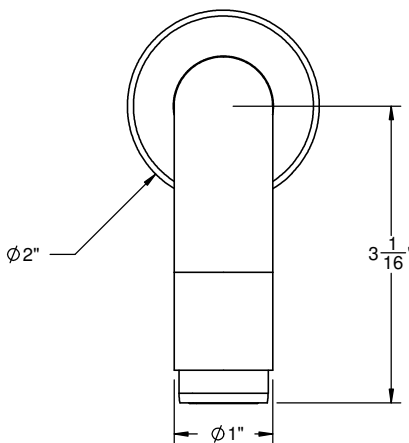


Codes/Standards Applicable

- Product meets or exceeds the following:
- ASME A112.18.1/CSA B125.1



THROUGH-HOLE SPECIFICATIONS		
MIN	RECOMENDED	MAX
Ø 1-1/4"	Ø 1-3/8"	Ø 1-9/16"



ALL DIMENSIONS SHOWN TO NEAREST 1/16"