

TOTO®

MW6423056CUFG(A)

Nexus® 1G® WASHLET®+ S550e One-Piece Toilet - 1.0 GPF

FEATURES

- Concealed supply connection for seamless installation
- TORNADO FLUSH® system, high-efficiency (1.0 GPF/3.8 LPF)
- CEFIONTECT® ceramic glaze prevents debris and mold from sticking to ceramic surfaces
- Completely skirted design for a sleek and understated look that's easier to clean
- Universal Height
- 12" Rough-in
- Chrome plated trip lever
- Elongated front bowl and WASHLET+ S550e and tank set
- EWATER+® auto-cleans wand and bowl
- On-demand remote function cleans wand with EWATER+
- PREMIST of bowl before each use
- Remote control operated
- Auto Flush available as upgrade
- Auto Open / Close Lid
- Night Light

MODELS & COMPONENTS

- **MW6423056CUFGA (#01)**
With CEFIONTECT ceramic glaze, WASHLET+ S550e with contemporary design and Auto Flush
 - **CST642CUFGAT40**
Elongated bowl with CEFIONTECT
 - **SW3056AT40**
WASHLET+ S550e - Auto Flush compatible
 - **THU766**
Auto Flush Kit
 - **MW6423056CUFG (#01)**
Same as MW6423056CUFGA without Auto Flush
 - **CST642CUFGAT40**
Elongated bowl with CEFIONTECT
 - **SW3056T40**
WASHLET+ S550e - Non Auto Flush compatible
- Optional Components**
- **TSU010W.14**
14" Unifit Rough-In
 - **THU485#01**
Trip Lever - Cotton
 - **THU485#PN**
Trip Lever - Polished Nickel
 - **THU485#BN**
Trip Lever - Brushed Nickel

COLORS/FINISHES

- #01 Cotton



1G One Gallon Per Flush

EWATER+

TORNADO FLUSH

Auto Flush

CEFIONTECT

Universal Height

PRODUCT SPECIFICATION

The one-piece high-efficiency TORNADO FLUSH system toilet shall be 1.0 GPF/3.8 LPF. Toilet shall be 12" Unifit rough-in. Toilet shall have optional CEFIONTECT ceramic glaze and be at Universal Height. Toilet shall have elongated front bowl with SoftClose seat and Polished Chrome trip lever. Toilet shall be TOTO Model MW6423056CUFG___#01.

See SW3056(A)T40 Specification Sheet for details on included WASHLET.

CODES/STANDARDS

- Meets or exceeds ASME A112.19.2/CSA B45.1
- Certifications: IAPMO(cUPC), EPA Watersense, State of Massachusetts, City of Los Angeles, and others
- Code compliance: UPC, IPC, NSPC, NPC Canada, and others
- Legislative Compliance: California AB715, California Green Building Code, City of Los Angeles Water Efficiency Ordinance
- ADA compliant (when installed with trip lever located on the approach side)
- Complies with CA Prop 65 warning requirements



MW6423056CUFG(A)

Nexus® 1G® WASHLET®+ S550e One-Piece Toilet - 1.0 GPF

SPECIFICATIONS

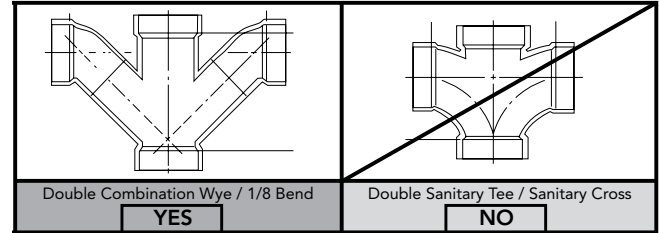
Water Use	1.0 GPF (3.8 LPF)
Flush System	TORNADO FLUSH®
Min. Water Pressure	8 psi (Static)
Water Surface	6-5/8" x 9-18"
Trap Diameter	2-1/8"
Rough-in	12" (14" Optional)
Trap Seal	2-1/4"
Warranty	One Year Limited Warranty
Material	Vitreous China
Shipping Weight	110 lbs
Shipping Dimensions	18-1/2"W x 21-3/4" H1 x 27-1/2" H2 x 29-1/2"

See SW3056(A)T40 Specification Sheet for details on included WASHLET.

INSTALLATION NOTES

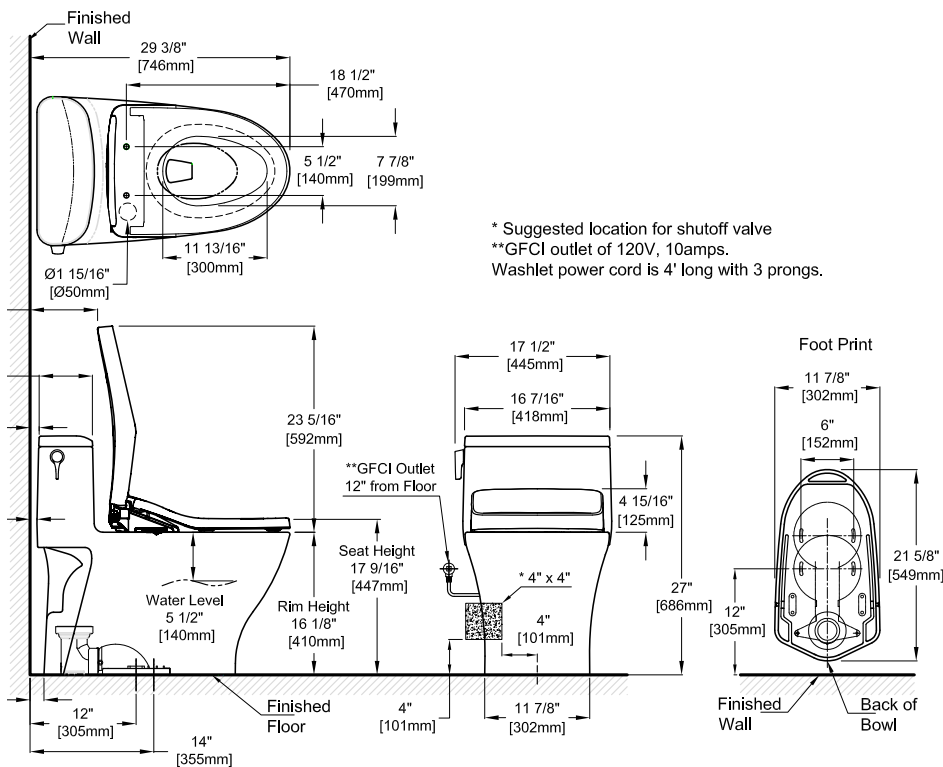
Back-to-Back Toilet Installations:

TOTO recommends the use of a nationally listed, double sanitary tee-wye only, in vertical waste stacks, in accordance with the stipulations noted in the majority of nationally recognized plumbing codes.



To maintain adequate wall gap between the back of the tank and wall, mount the floor flange at a nominal 12" rough-in distance.

DIMENSIONS



TOTO®

These dimensions and specifications are subject to change without notice