



Single Basin Entertainment Sink B153-1

Features

- Top-mount
- One faucet hole
- 5-1/2"-deep single bowl
- 3-5/8" drain opening
- Stainless steel with a luster finish
- SilentShield technology
- 20-gauge stainless steel
- Five-year lifetime limited warranty

Optional Products/Accessories

7400 Sink Strainer



ADA

Codes/Standards

ASME A112.19.3/CSA B45.4

ADA

ICC/ANSI A117.1

STERLING® Warranty - Stainless Steel Sinks

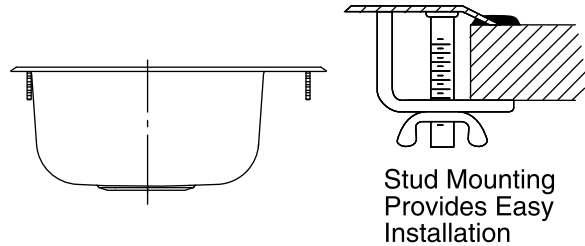
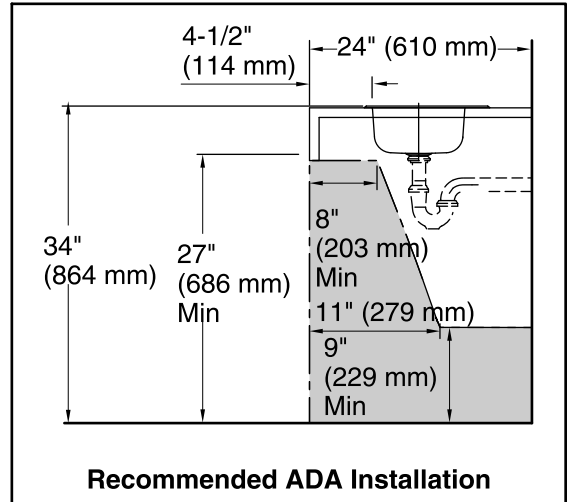
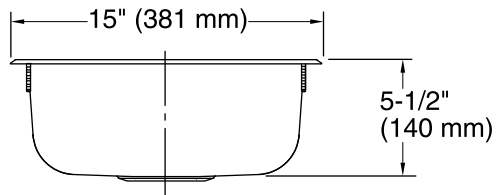
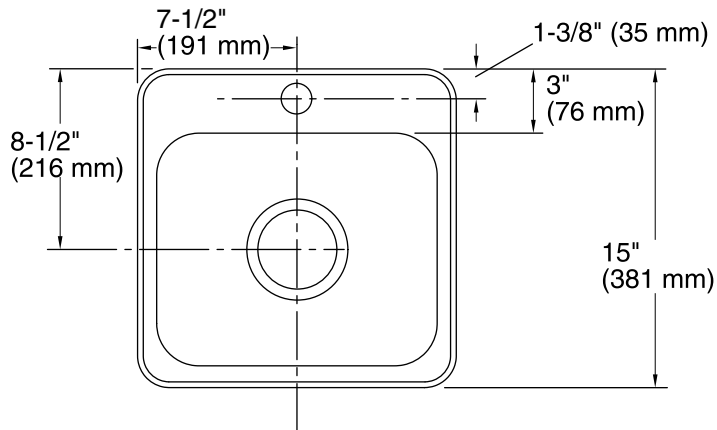
See website for detailed warranty information.

1-800-STERLING (1-800-783-7546)

Kohler Co. reserves the right to make revisions without notice to product specifications.

For the most current Specification Sheet, go to www.sterlingplumbing.com.

4-26-2019 03:50 - US/CA



Technical Information

All product dimensions are nominal.

- Installation: Top-mount
- Bowl area (Only): Length: 13-1/4" (337 mm)
Width: 11" (279 mm)
Bowl depth: 5-9/16" (141 mm)
Water depth: 5-9/16" (141 mm)
- Number of deck holes: 1
- Faucet hole(s): 1-7/16" (37 mm)
- Drain hole: 3-3/4" (94 mm)

Notes

- Install this product according to the installation instructions.
- ADA compliant when installed to the specific requirements of these regulations.