



Ludington®

Under-Mount Kitchen Sink

20024

Features

- Under-mount
- No faucet holes to accommodate either wall-mount or countertop faucets
- 9-5/16"-deep double-equal bowl
- 3-3/4" drain opening
- Stainless steel with satin finish
- SilentShield technology
- 18-gauge stainless steel
- Lifetime limited warranty



Recommended Products/Accessories

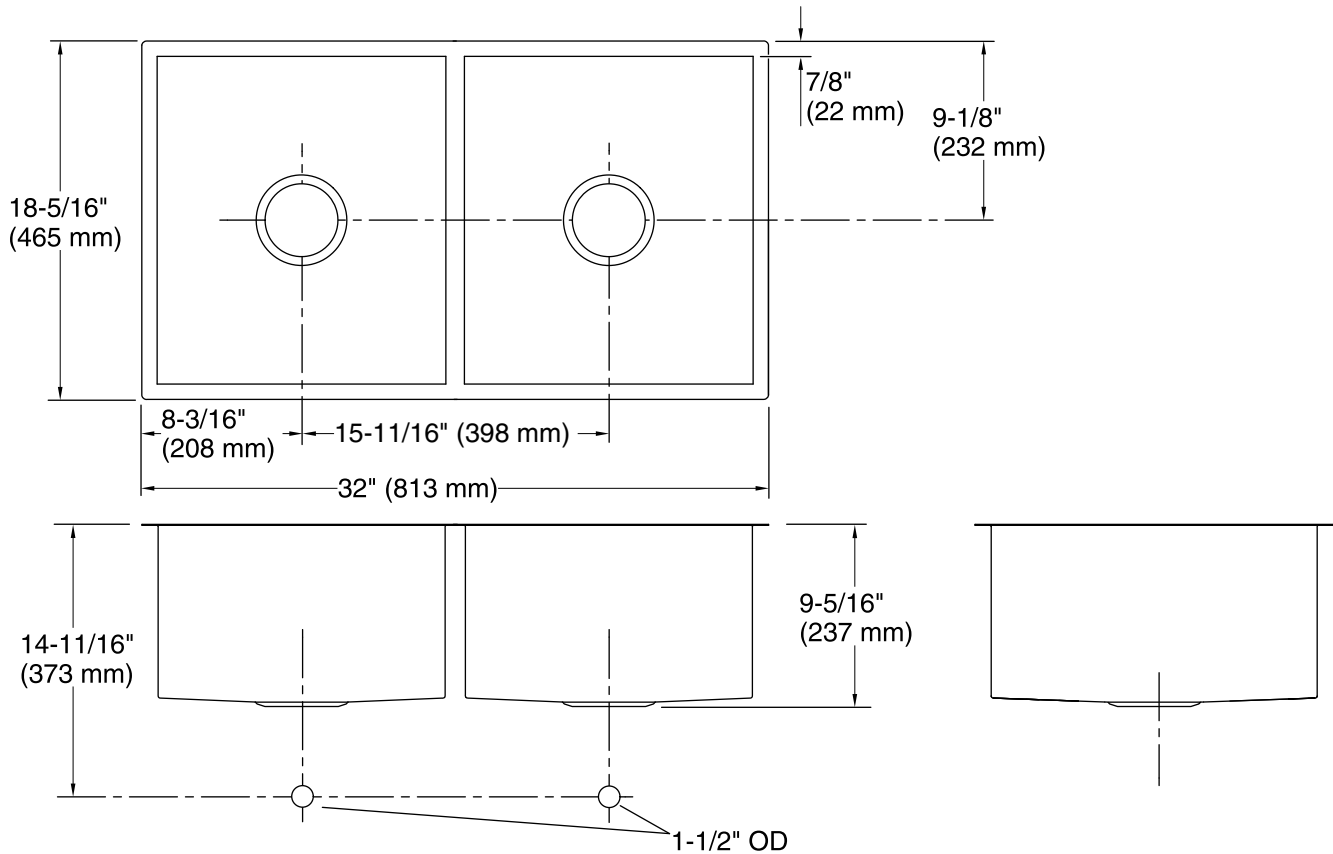
- 20286 Sink Basin Mat (Qty 2)
- 7400 Sink Strainer (Qty 2)

Codes/Standards

ASME A112.19.3/CSA B45.4

STERLING® Warranty - Stainless Steel Sinks

See website for detailed warranty information.



Technical Information

All product dimensions are nominal.

- Installation: Under-mount
- Min. base cabinet width: 36" (914 mm)
- Bowl area (Left):
 - Length: 14-9/16" (370 mm)
 - Width: 16-9/16" (420 mm)
 - Bowl depth: 9" (229 mm)
 - Water depth: 9" (229 mm)
- Bowl area (Right):
 - Length: 14-9/16" (370 mm)
 - Width: 16-9/16" (420 mm)
 - Bowl depth: 9" (229 mm)
 - Water depth: 9" (229 mm)
- Drain hole: 3-3/4" (94 mm)
- Template: 1298947-7, required, included

Notes

- Install this product according to the installation instructions.
- Countertop manufacturer or cutter must use the cut-out template provided with the product, or a current one provided by Kohler Co. (call 1-800-43-FOCUS). Kohler Co. is not responsible for cut-out errors when the incorrect cut-out template is used.