

STERLING®

A KOHLER COMPANY

PERFORMA™

Features

- Compression molded from our exclusive solid Vikrell® material
- Durable high-gloss finish
- 10-year consumer/3-year commercial limited warranty
- Sloping backrest for lumbar support
- 15" (381 mm) bath depth (floor to top of threshold)
- 60-1/4" (1530 mm) x 30" (762 mm) x 16-1/4 (413 mm) complete unit rough-in dimensions includes flange
- 60" (1524 mm) x 29" (737 mm) x 15" (381 mm) complete unit finished dimensions

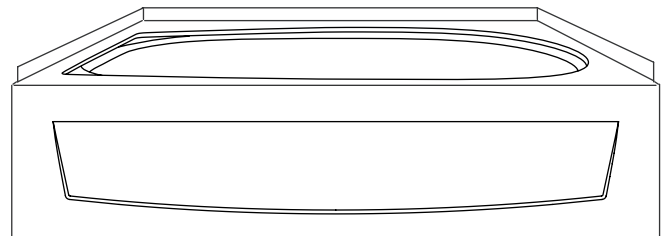
Codes/Standards Applicable

Specified model meets or exceeds the following:

- ANSI Z124.1.2
- NAHB Research Foundation, Inc.
- CSA B45
- ASTM E162
- ASTM E662
- HUD, UM Bulletin 73A

60" (1524 mm) BATH
71041110

ALSO 71041120, 71041510, 71041520



Colors/Finishes

- 0: White
- Other: Refer to Price Book for additional colors/finishes

Specified Model

Model	Description	Colors/Finishes	
		<input type="checkbox"/> 0	<input type="checkbox"/> Other _____
71041110	60" (1524 mm) bath, left drain	<input type="checkbox"/> 0	<input type="checkbox"/> Other _____
71041120	60" (1524 mm) bath, right drain	<input type="checkbox"/> 0	<input type="checkbox"/> Other _____
71041510	60" (1524 mm) bath, 5 pack, left drain	<input type="checkbox"/> 0	<input type="checkbox"/> Other _____
71041520	60" (1524 mm) bath, 5 pack, right drain	<input type="checkbox"/> 0	<input type="checkbox"/> Other _____

PERFORMA™

Technical Information

Fixture*:	
Basin area:	
Bathing well	21" (533 mm) x 39" (991 mm)
Top area	24" (610 mm) x 53" (1346 mm)
To overflow:	
Water depth	10-1/4" (260 mm)
Capacity	35 gal (132.5 L)
* Approximate measurements for comparison only.	

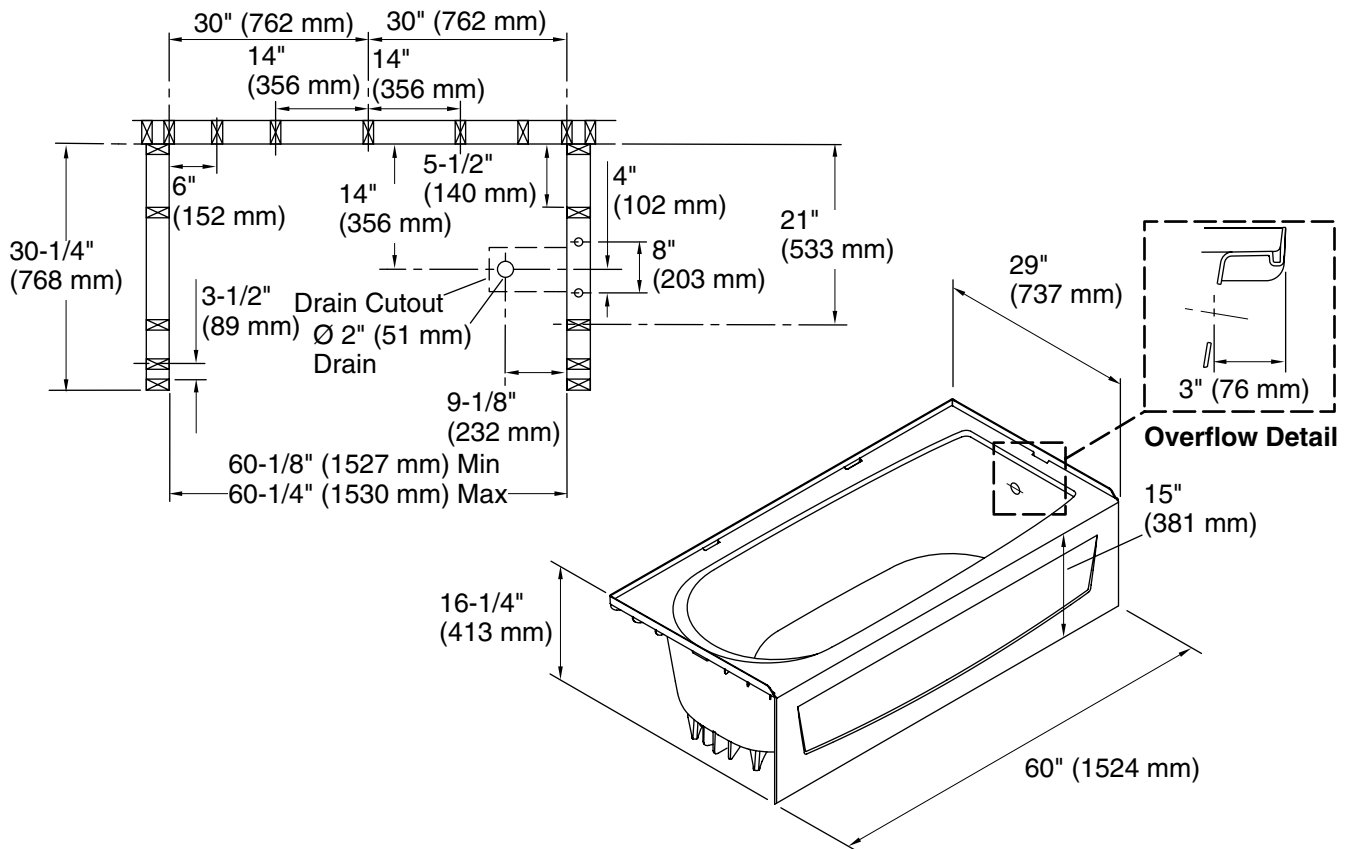
Model	Door maximum width	Door maximum height
71041110	60" (1524 mm)*	NA*
71041120		
* Varies with alternative walls		

Installation Notes

Install this product according to the installation guide.

Size the drain cutout to fit the drain assembly that will be used.

Studs should be positioned roughly as shown.



Product Diagram