

**Toilet Tissue Holder**  
**2020-1570**

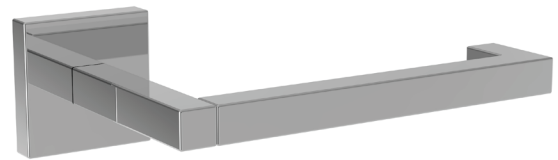
**Features**

- Solid metal construction
- Single-post, open roller design
- Complements Cube 2 product series
- Optional left or right hand mounting orientation

**Codes / Standards Compliance**

Meets or exceeds the following at date of manufacture:

- All applicable US Federal and State material regulations



**Colors / Finishes**

- 10B: Oil Rubbed Bronze
- 15: Polished Nickel
- 15S: Satin Nickel - PVD
- 26: Polished Chrome
- Other: Refer to the Newport Brass catalog for additional color/finish options.

**Specified Model**

Model	Description	Colors   Finishes
2020-1570	Open Toilet Tissue Holder	<input type="checkbox"/> 10B <input type="checkbox"/> 15 <input type="checkbox"/> 15S <input type="checkbox"/> 26 <input type="checkbox"/> Other

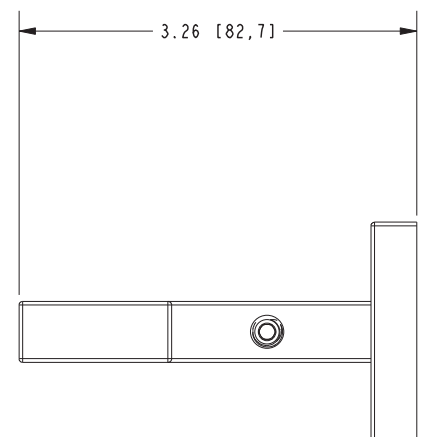
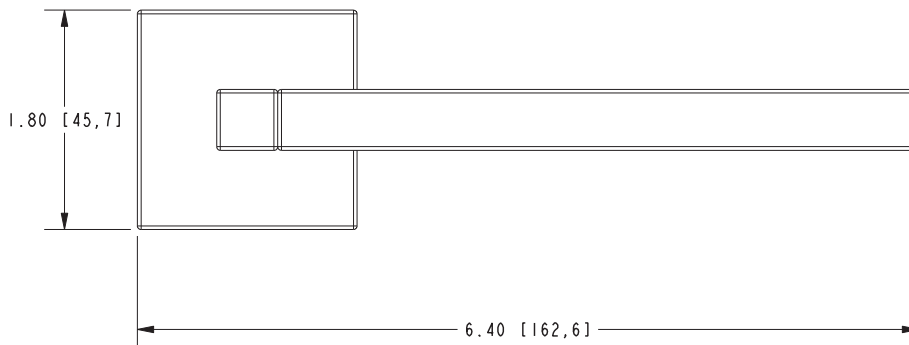
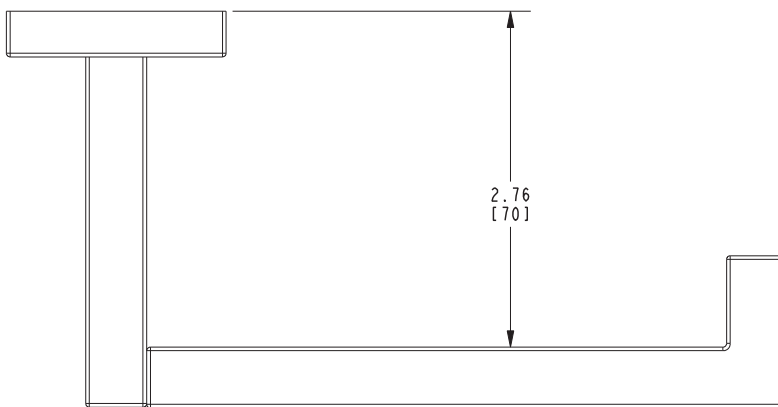
**Product Specification** Add "Color / Finish" suffix to Model number, below.

The Toilet Tissue Holder shall be made of solid metal construction and incorporate a single-post, open roller design. Toilet Tissue Holder shall complement Newport Brass Cube 2 product series. Toilet Tissue Holder may be installed in either left or right hand orientation. Toilet Tissue Holder shall be Newport Brass Model 2020-1570/\_\_\_\_\_.

# 2020-1570

## PRODUCT DIMENSIONS *(Units are in inches)*

Product Dimensions are provided for reference only. For specific product installation guidelines, please reference the Installation Instructions of the product being installed.



### Cube 2 Toilet Tissue Holder 2020-1570