

Petite - 19"

Specification & Installation Guide

Features

- Wall hung 19" vanity : 20"(508mm) H x 18-7/8"(480mm) W x 9-1/2" (240mm) D
- Furniture grade plywood layered with solid wood veneer and protected with several coats of polyurethane.
- Matching finish inside out
- Soft-close reversible door - Left-hinged from factory

Finishes

- Ash Grey (AG)
- Brandy (BR)
- Glossy White (GW)
- Sapphire (SA)
- Studio Grey (TG)

Top/Basin options

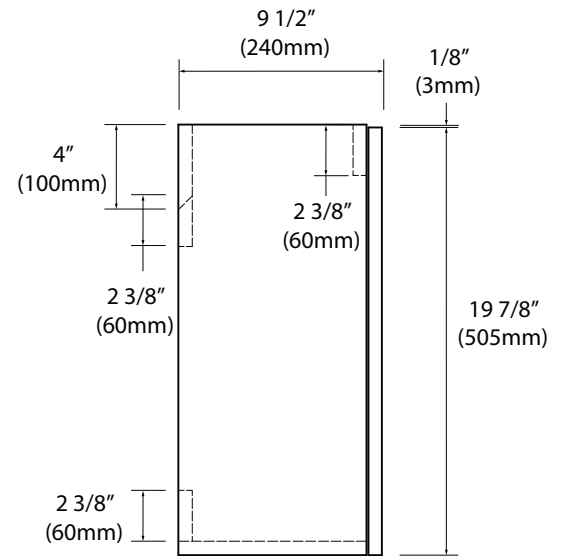
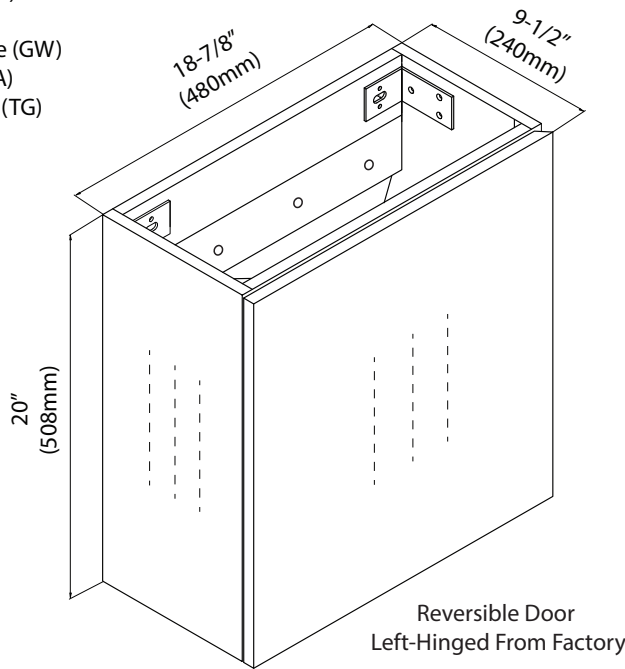
- Ceramic basin: CB-1910-110-WH

Package Dimension

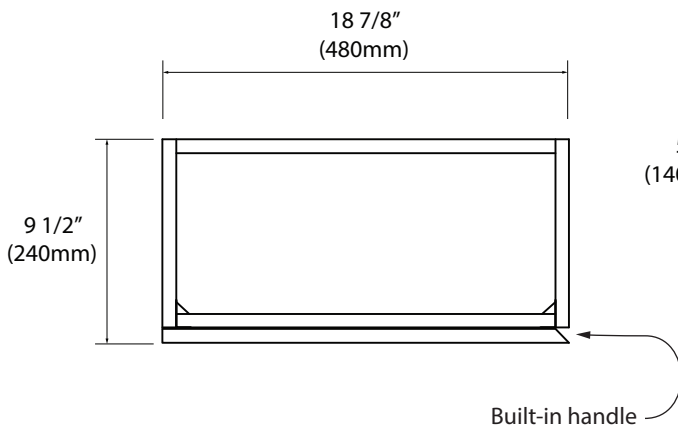
23" x 22" x 12 1/2"

Gross Weight

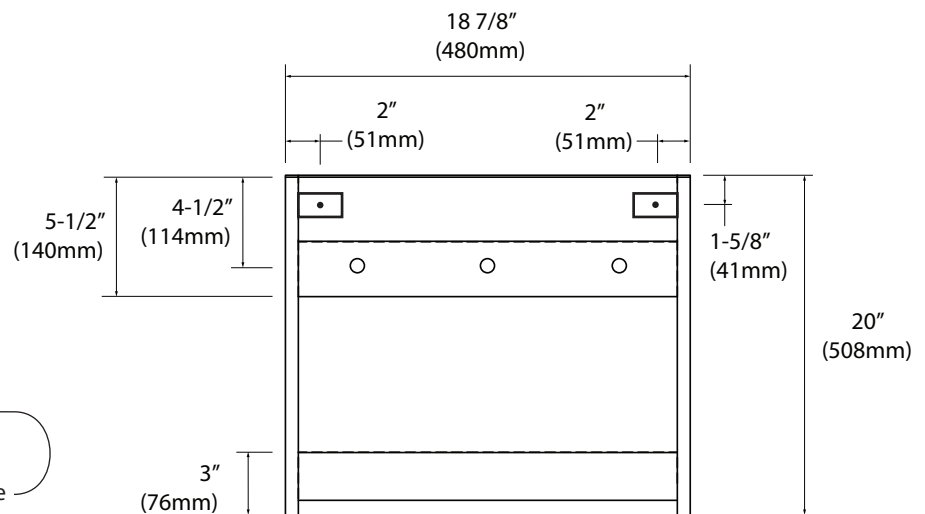
29 lbs / 13.18 kgs



SIDE VIEW



TOP VIEW



BACK VIEW

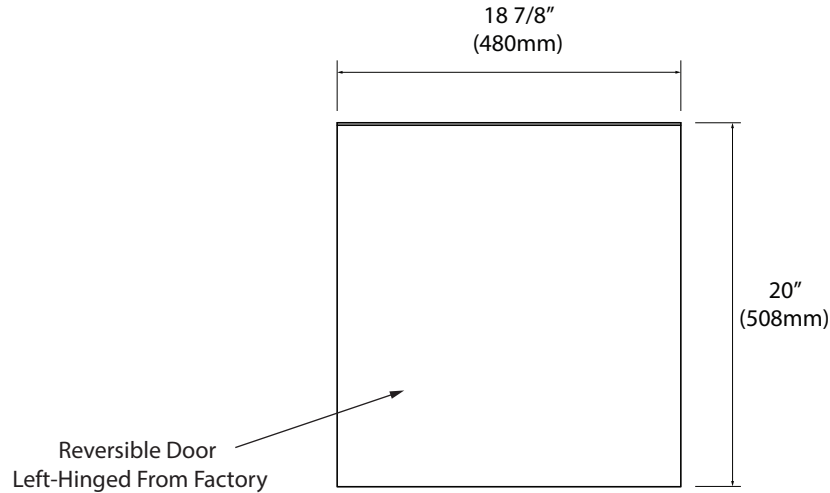
For clarification, please contact Madeli Customer Care at (800)-819-6988 or (305)-718-8817 Ext. 1 or at service@madeli.com
All dimensions are approximate and subject to standard tolerance. Specifications subject to change without prior notice.

01 | Page

Petite - 19"

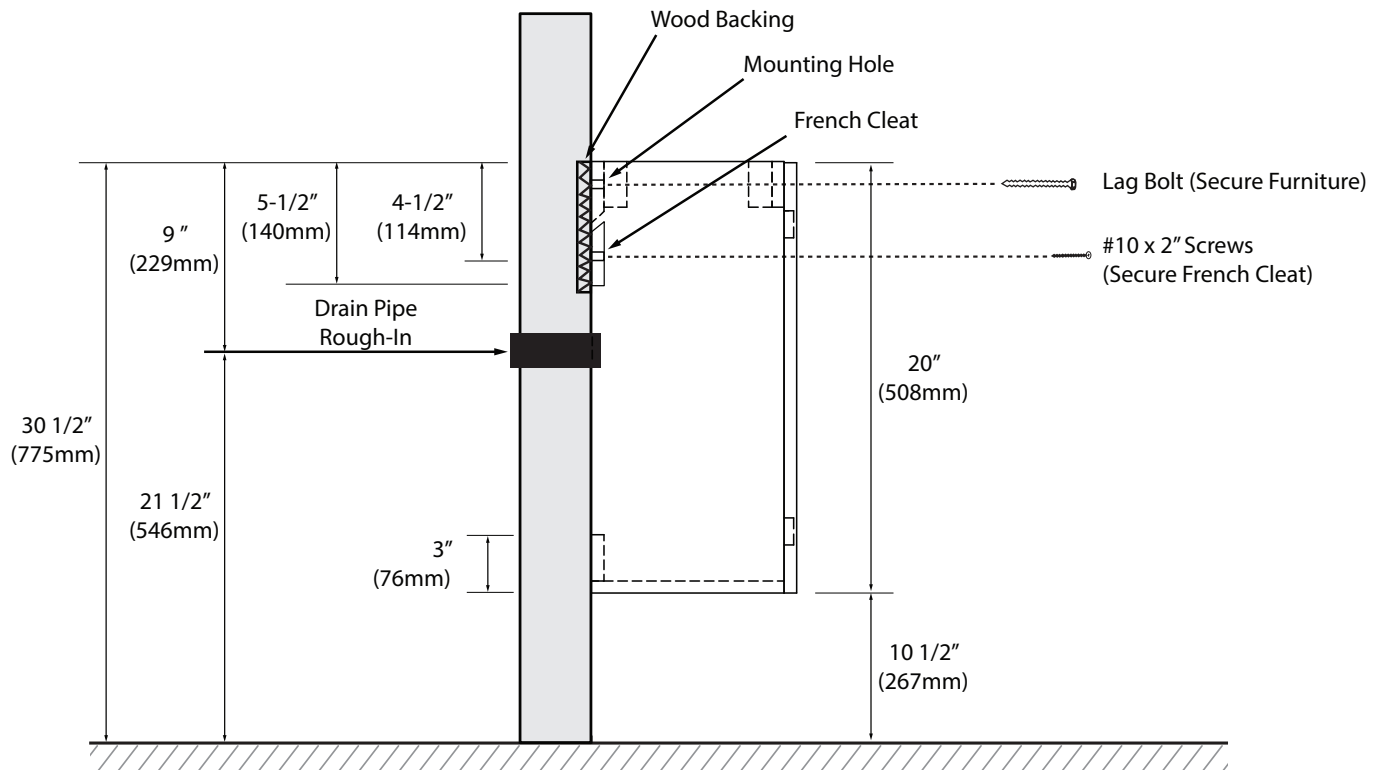
Specification & Installation Guide

FRONT VIEW



TYPICAL INSTALLATION

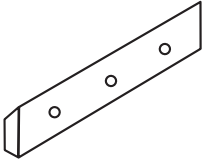




The typical dimensions shown will result in vanity cabinet height of 30 1/2" (775mm). The total height including CB-1910-110-WH (5 1/2" - 140mm H) will be 36" (915mm). If alternate heights are desired, adjust the rough-in and backing material heights using the dimensions provided.



Petite - 19"

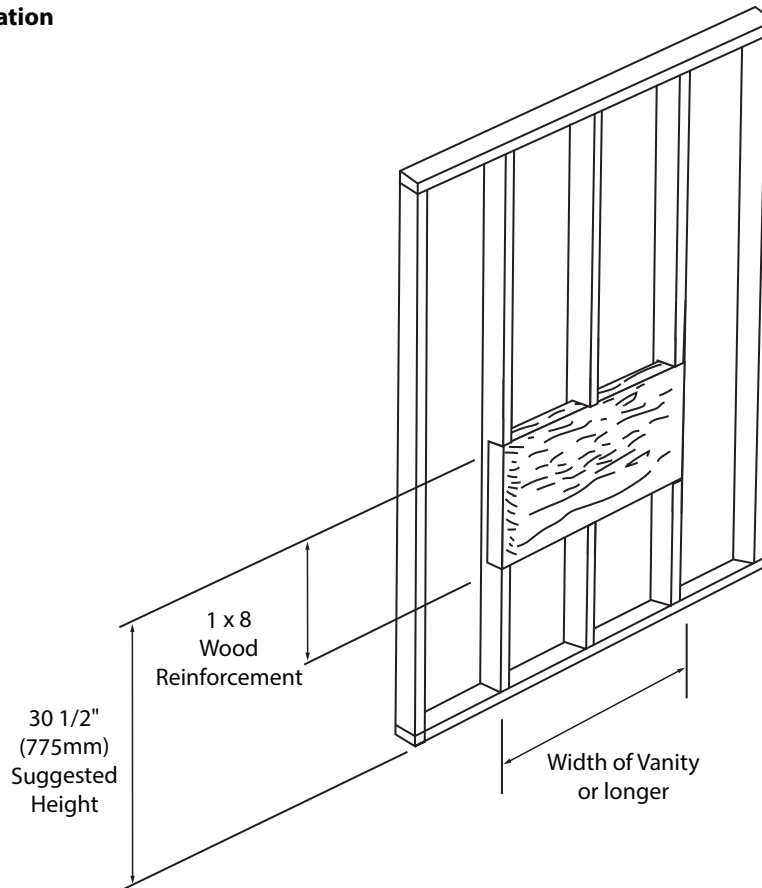
Specification & Installation Guide

INSTALLATION INSTRUCTIONS

Item	French Cleat	#10 x 2" Screws	Anchors	Lag Bolt	Silicone (not included)
Qty.	1	3	3	3	1
					

STEP 1

Wall Preparation



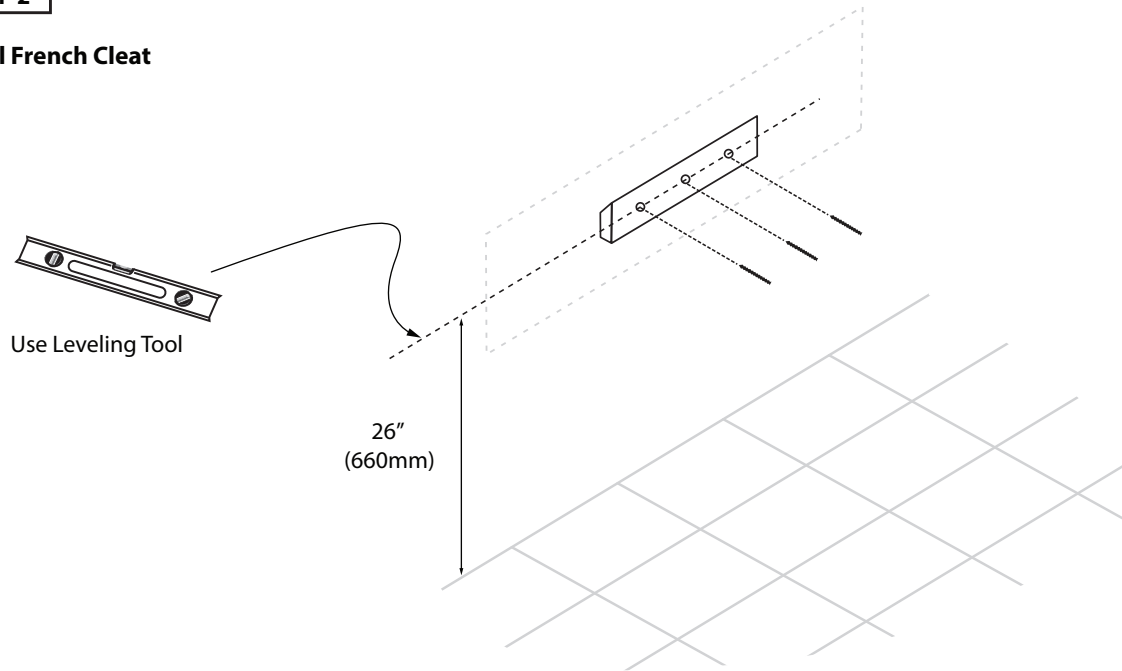
For clarification, please contact Madeli Customer Care at (800)-819-6988 or (305)-718-8817 Ext. 1 or at service@madeli.com
All dimensions are approximate and subject to standard tolerance. Specifications subject to change without prior notice.

Petite - 19"

Specification & Installation Guide

STEP 2

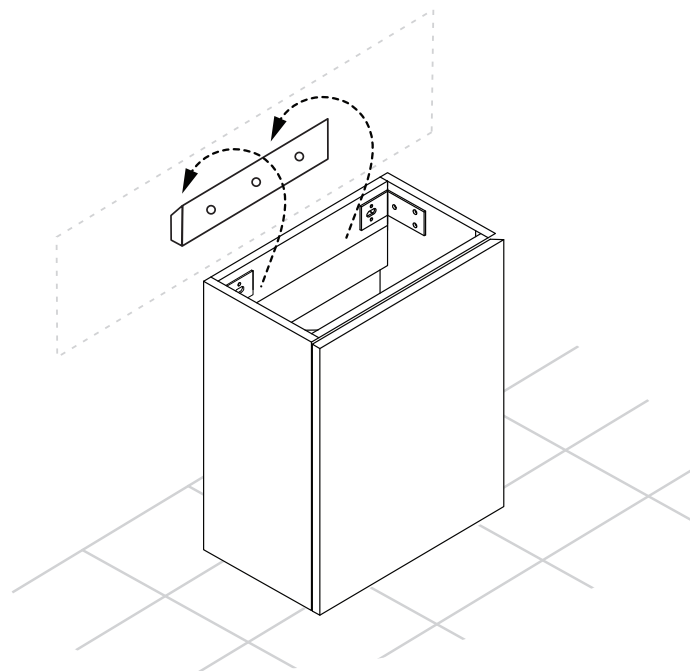
Install French Cleat



STEP 3

Place vanity on French Cleat

French Cleat is only to level the vanity. It is not designed for permanent support. Cabinet needs to be secured to wood backing material.



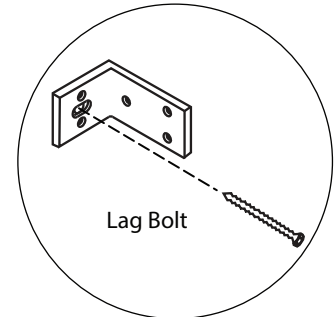
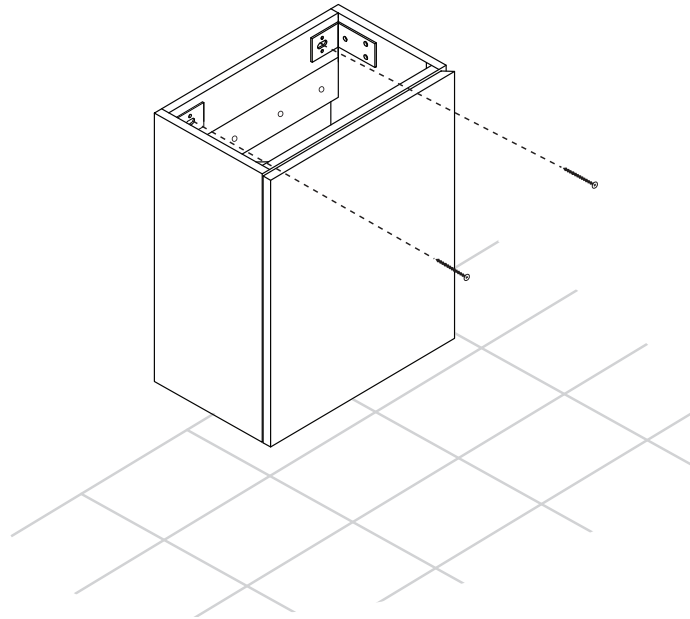
For clarification, please contact Madeli Customer Care at (800)-819-6988 or (305)-718-8817 Ext. 1 or at service@madeli.com
All dimensions are approximate and subject to standard tolerance. Specifications subject to change without prior notice.

Petite - 19"

Specification & Installation Guide

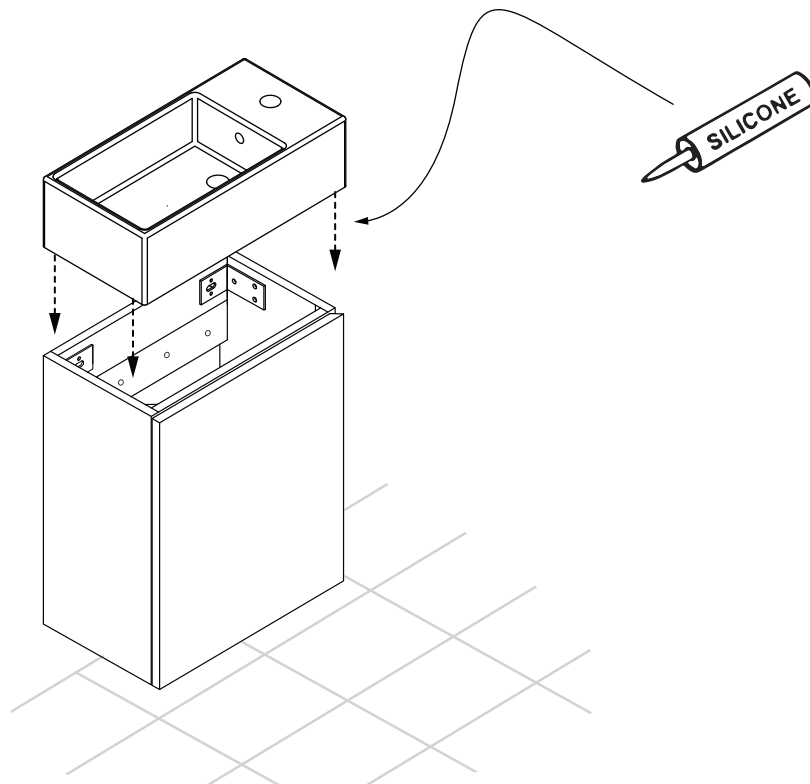
STEP 4

Secure vanity to wood reinforcement backing



STEP 5

Install countertop with Silicone



For clarification, please contact Madeli Customer Care at (800)-819-6988 or (305)-718-8817 Ext. 1 or at service@madeli.com
All dimensions are approximate and subject to standard tolerance. Specifications subject to change without prior notice.