

Slide Bar

Barre coulissante
Barra de deslizamiento

Product Specifications

LUXART®



CONTEMPORARY

LCSB-CP
LCSB-BN
LCSB-BLM
LCSB-ORB
LCSB-PBB

FEATURES

- Brass Bar
- 100% Factory Pressure Tested

CARACTÉRISTIQUES

- Barre en laiton
- Pression vérifiée en usine- 100%

CARACTERÍSTICAS

- Barra de bronce
- Probado en fábrica bajo presión al 100%

APPLICABLE STANDARDS/CODES

Specified model meets or exceeds the following:

NORMES ET CODES APPLICABLES

Le modèle spécifié est conforme aux normes suivantes ou les dépasse:

NORMAS Y ESTÁNDARES APLICABLES

El modelo especificado reúne o sobrepasa las siguientes condiciones

- ASME A112.18.1/CSA B125.1

AVAILABLE FINISHES / FINIS OFFERTS / DISTINTOS ACABADOS:

- Polished Chrome / Chrome poli / Cromo lustrado (CP)
- PVD Brushed Nickel / PVD Nickel brossé / PVD Níquel cepillado (BN)
- Matte Black / Noir Mat / Negro Mate (BLM)
- Oil Rubbed Bronze / Bronze poncé à l'huile / Bronze lustrado al aceite (ORB)
- PVD Brushed Bronze / PVD Bronze brossé / PVD Bronze cepillado (PBB)



Contact your sales representative for more information or visit our website at luxartcollection.com

Slide Bar

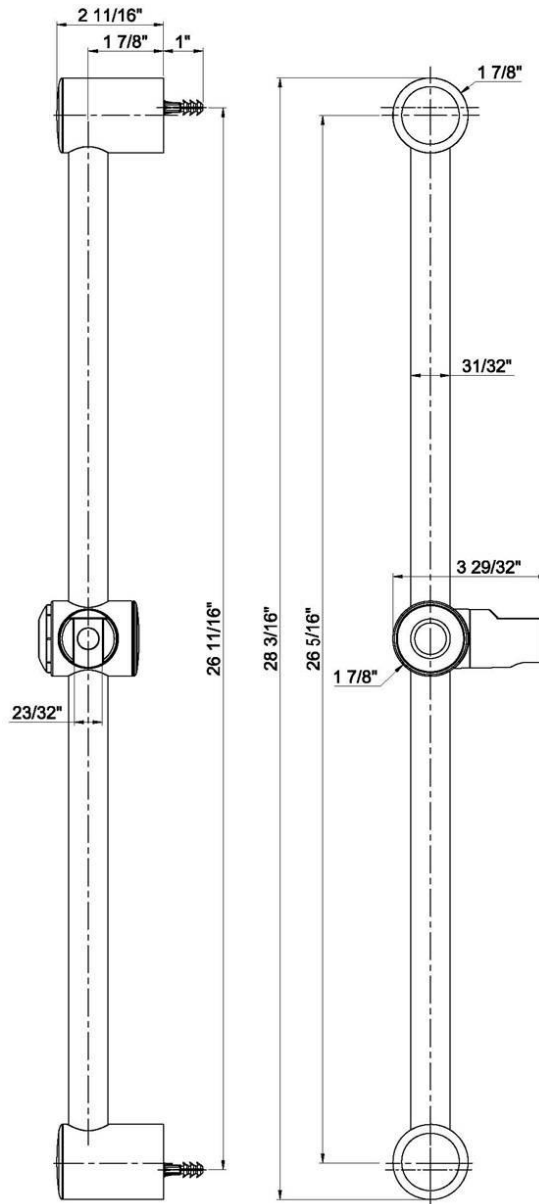
Barre coulissante
Barra de deslizamiento

Product Specifications

LUXART®

CONTEMPORARY

LCSB-CP
LCSB-BN
LCSB-BLM
LCSB-ORB
LCSB-PBB



Contact your sales representative for more information or visit our website at luxartcollection.com