



Shown in AG03E-04GLD



## AG03E

ARTISAN GLASS MEDIUM SQUARE WINDOW

### DETAILS

Installation Type: Undermount or Drop-in (Add \$200)

Material: Glass

Standard 1.5" Drain, No Overflow

Dimensions are approximate: [OD: 16.5"x16.5"x4", ID: 14"x14"]

Each Sink is hand-crafted; no two sinks will be the same.

All handmade glass sinks are expected to have inherent and unique markings such as air bubbles, leaf marks, surface pinholes and maker's marks.

See our "Artisan Glass Fact Sheet" for additional details.



| SINK FINISHES |       |  | WINDOW FINISHES |        |  |
|---------------|-------|--|-----------------|--------|--|
| 01            | White |  | <b>BRS</b>      | Brass  |  |
| 04            | Black |  | <b>GLD</b>      | Gold   |  |
|               |       |  | <b>SLV</b>      | Silver |  |

### AVAILABLE DRAINS

|             |                               |  |
|-------------|-------------------------------|--|
| D004        | Grid Strainer                 |  |
| D005        | Lift and Turn                 |  |
| D006        | Pop-up w/ horizontal lift rod |  |
| D011 – D017 | Decorative Grid Strainers     |  |

**DO NOT use compression (i.e. click-clack, press-to-close/open) type drains. Hand tighten drain.**

### INSTALLATION

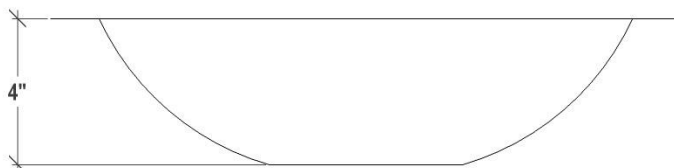
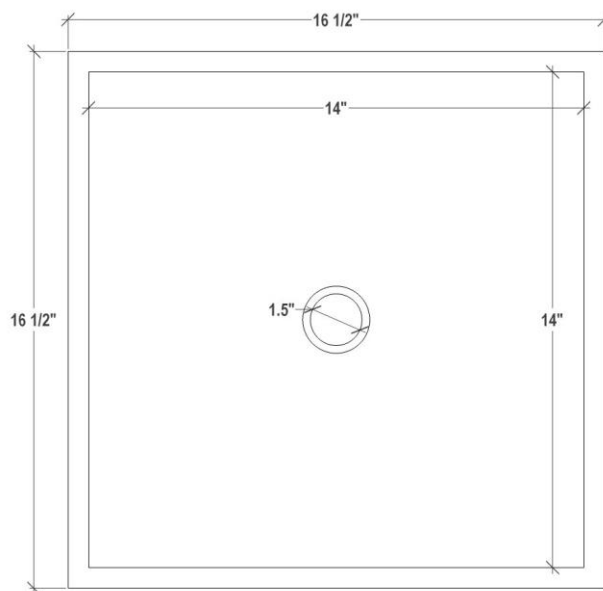
Use silicone adhesive to adhere sink to countertop. Clean any excess silicone from sink surface. Do not install sink using clips. **Hand-tighten drain – do not overtighten.** Conversion Kit for drain installation is included with each sink.

### CARE

Mild soap and water for everyday cleaning. Non-ammonia based glass cleaner may also be used. No harsh or acidic cleaning products.

### WARRANTY

Linkasink warranties our product to be free from manufacturing defect for the life of the product. Warranty does not cover improper care, neglect or abuse or normal wear-and-tear.



### DIMENSIONS WILL VARY

**DO NOT** use this sheet as a guide for countertop cuts. Due to the handmade nature of each product, templates are not provided.

P: 602.971.252  
E: [Sales@linkasink.com](mailto:Sales@linkasink.com)

Linkasink may make changes to specifications without notice.  
Visit [linkasink.com](http://linkasink.com) for updated specification sheet.

03/03/2023