

Kubista Towel Bar Item #4906

Features:

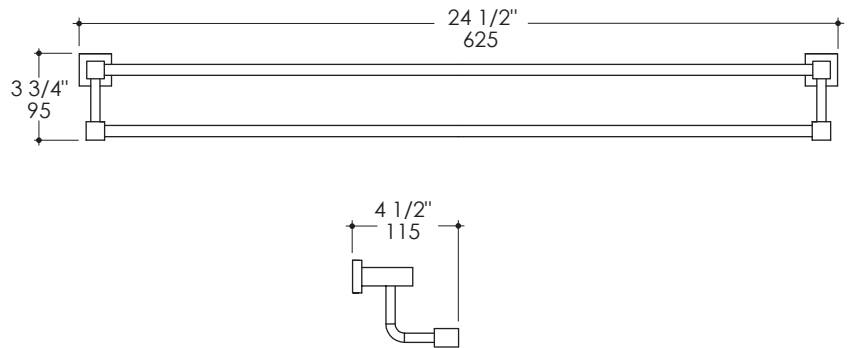
- Wall-mount double towel bar
- Brass construction
- Includes mounting hardware



Finish Options:

- CR - Polished Chrome
- NI - Brushed Nickel

Product Specifications:



Notes:

Drawings provided herein are meant to give the user an idea of the product and are not made to scale. The size in inches is rounded up to the nearest 1/16".

LACAVA is committed to the highest level of customer service. Please feel free to contact us at 1-888-522-2823 (toll free) or by email at info@lacava.com for technical assistance or any general inquiries.

Rev. 05-22-2017