



Vox® Rectangle

Above-counter Bathroom Sink
K-2749-1

Features

- Single faucet hole.
- Overflow drain.

Material

- Vitreous china.

Installation

- Drop-in or vessel.



ADA CSA B651

Codes/Standards

ASME A112.19.2/CSA B45.1
ADA
ICC/ANSI A117.1
CSA B651

KOHLER® One-Year Limited Warranty

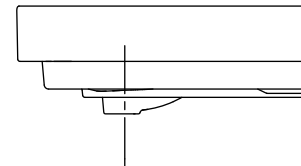
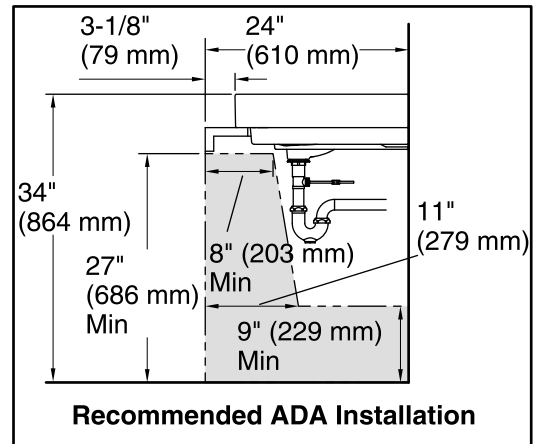
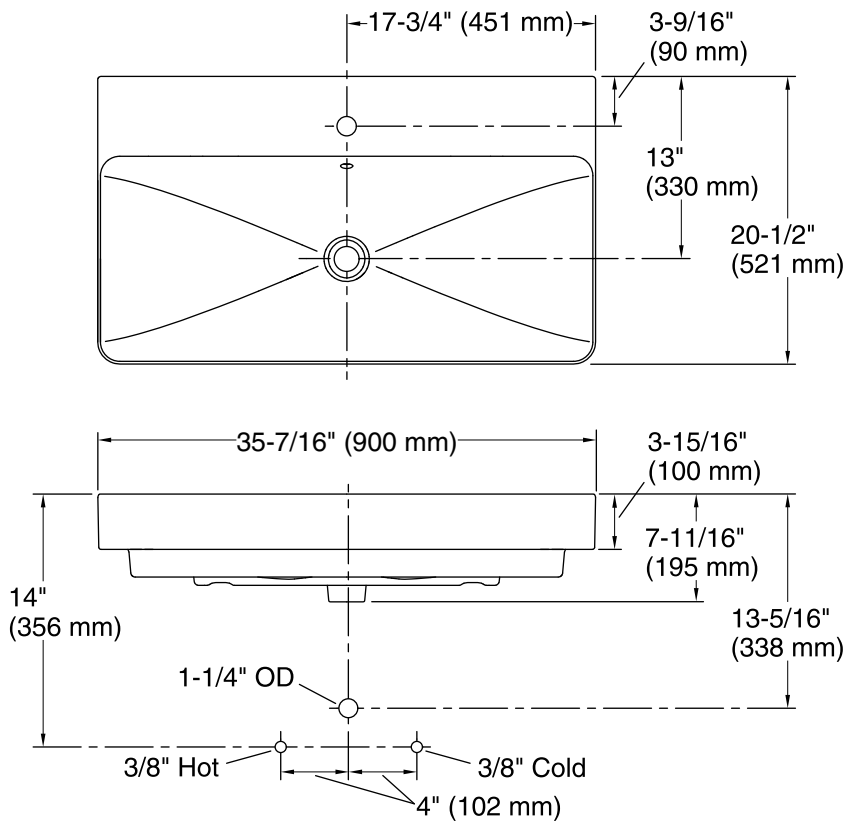
See website for detailed warranty information.

Available Colors/Finishes

Color tiles intended for reference only.

Color	Code	Description
-------	------	-------------

	0	White
--	---	-------



Technical Information

All product dimensions are nominal.

Installation:	Vessel
Bowl area:	Length: 34-11/16" (881 mm) Width: 14-3/16" (361 mm) Bowl depth: 5-11/16" (145 mm) Water depth: 4-15/16" (125 mm)
Drain hole:	1-3/4" (45 mm)

Notes

Install this product according to the installation instructions.

Choose a faucet that will provide adequate clearance and will direct the water stream to the center of the bathroom sink.

Countertop manufacturer or cutter must use the cut-out template provided with the product, or a current one provided by Kohler Co. (call 1-800-43-FOCUS). Kohler Co. is not responsible for cut-out errors when the incorrect cut-out template is used.

Product rests on countertop. Consider height when designing installation.

ADA, CSA B651 compliant when installed to the specific requirements of these regulations.