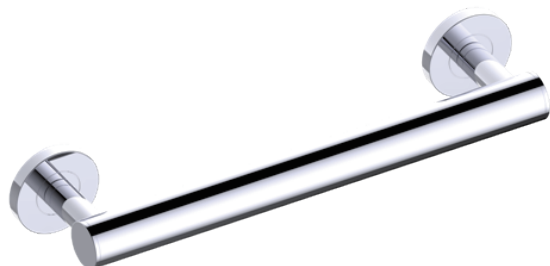




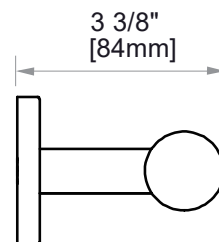
ADA Compliant



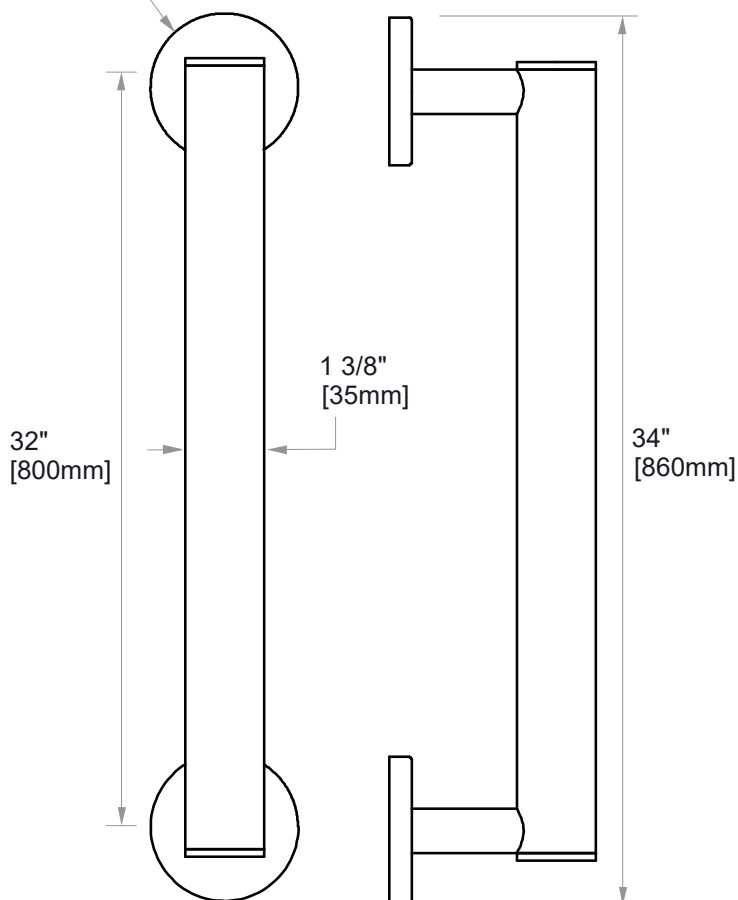
## 9100 SERIES

(1.5"/35mm)

8289132-35mm



2 3/8"  
[60mm]



**PRODUCT NAME:** GRAB BAR

**SIZE:** 32"

**PRODUCT CODE:** 8289132-35mm

**MATERIAL:** All-brass construction

**STOCKED FINISHES:**

- Polished Chrome (99)
- Brushed Nickel (81)

**SPECIAL FINISHES AVAILABLE:** Please see our website for full list samples

**WARRANTY:**

Lifetime Limited (Residential Use)  
One Year (Commercial Use)

NOTE: Dimensions and specifications are subject to change without notice.