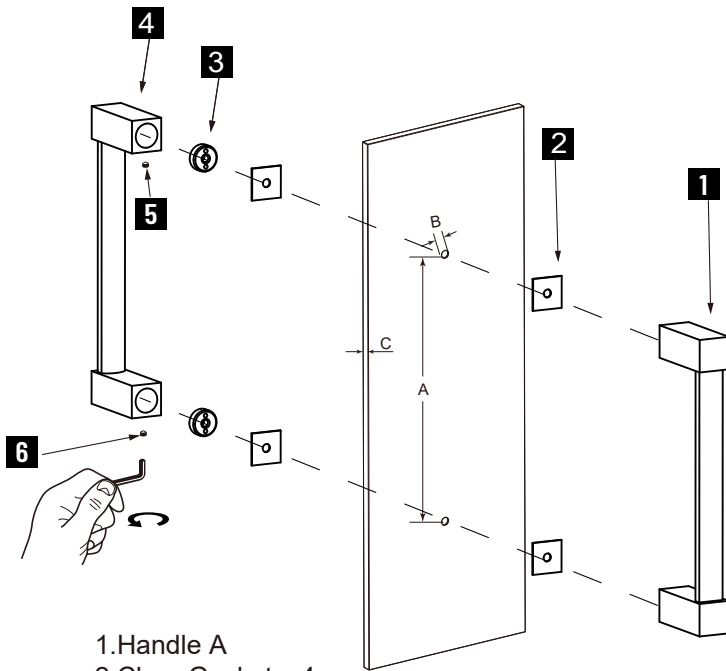


LISBON COLLECTION

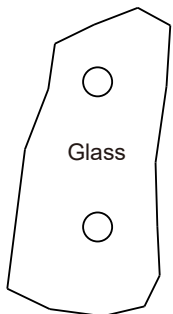
DOUBLE SHOWER DOOR HANDLE

2777806/7808/7812/7818/7824

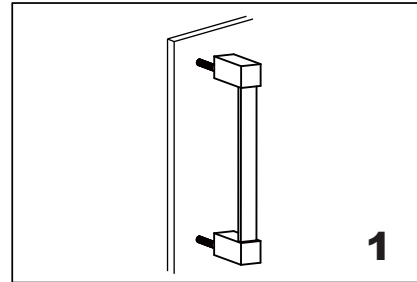


- 1.Handle A
- 2.Clear Gasket x 4
- 3.Fixing Bracket x 2
- 4.Handle B
- 5.Set Screw M5 x 2
- 6.Allen Key 2.5mm x 1

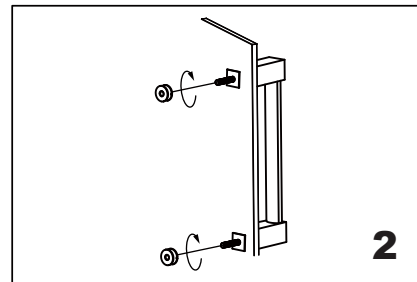
GLASS INFO



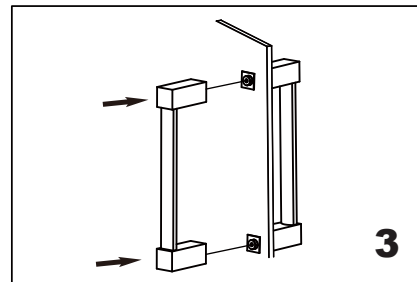
Glass Hole C-C Distance		
A	6"/152mm	6" Shower Door Handle
	8"/203mm	8" Shower Door Handle
	12"/305mm	12" Shower Door Handle
	18"/457mm	18" Shower Door Handle
	24"/610mm	24" Shower Door Handle
B	1/2"(12mm)	Glass Hole Diameter
C	6-12mm	Glass Thickness



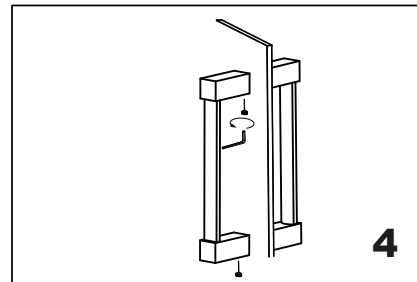
Install the handle A (bolt) through the glass holes, make sure the rubber gaskets are between handle & glass.



Screw in the fixing brackets into the handle bolts.



Add the handle B end caps on the fixing brackets, make sure the set screws holes in the bottom.



Fix the set screws on the end caps, tighten it to avoid loose from fixing brackets.