

Savannah 7236SD | Heated Soak Series

Product Number: SASS7236SDFS-A 72" x 36" x 25"



STANDARD & OPTIONAL ACCESSORIES

CIRCULATION PORTS

- ↻ 1 Inlet
- ↻ 1 Outlet

PUMPS

Whisper Flo Heat Pump
Quiet Pad Anti-Vibration Mounted Pump

CONTROLS

Air Switch On/Off Control(s) for Heat Pump

PURITY

HydroCleanse

DRAINS & OVERFLOWS INFORMATION

- Overflow: Integral Round or Linear: Included Polished Chrome
Optional: White, Biscuit, Black, Brushed Nickel, Polished Nickel, Oil Rubbed Bronze
- Bath Drain: Pop up: Included Polished Chrome
Optional: White, Biscuit, Black, Brushed Nickel, Polished Nickel, Oil Rubbed Bronze
- In Floor Drain EZ Fast Connect (**optional**)

FAUCET INFORMATION

- Deck Mount or Floor mount (not included)
- Access Panel required for Deck faucet (**optional**)
- Floor mount verify spout distance

STANDARD ACCESSORIES

EZ Clean Cast Acrylic • FDA Recipe Non-Toxic Food & Beverage Grade Plumbing (primarily) • 30 Point Quality Assurance Factory Test • EZ Level Adjustable Legs

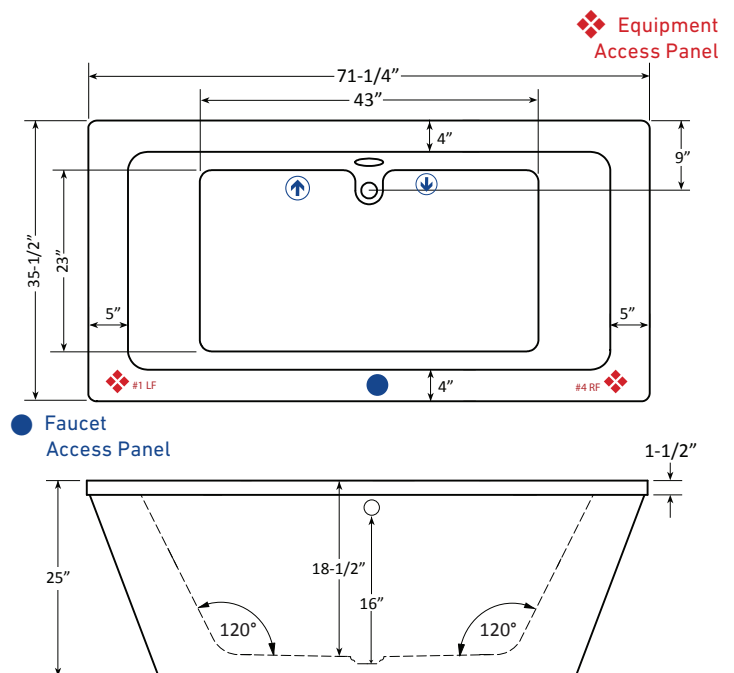


TECHNICAL SPECIFICATIONS

Side drain
Pump Location(s): #1 LF or #4 RF
– right or left side access

ELECTRICAL REQUIREMENTS

(1) 115v 20AMP GFCI Circuits



Specifications and features are subject to change without notice and are + .25". All final measurements should be taken from tub on site.

HydroMassage Products LLC • 303-341-1845 • Fax: 303-342-1850 • www.hydrmassageproducts.com