

Ovale 6636CD | Bathtub Only

Product Number: OVT06636CDFS 66" x 36" x 25"



STANDARD & OPTIONAL ACCESSORIES

DRAINS & OVERFLOWS INFORMATION

- Overflow: Integral Round: Included- Polished Chrome or Brushed Nickel.
Optional - White, Biscuit, Black, Polished Nickel, Oil Rubbed Bronze.
- Bath Drain: Pop up: Included- Polished Chrome or Brushed Nickel.
Optional - White, Biscuit, Black, Polished Nickel, Oil Rubbed Bronze.
- In Floor Drain EZ Fast Connect (**optional**)

FAUCET INFORMATION

- Deck Mount or Floor mount (not included)
- Access Panel required for Deck faucet (**optional**)
- Floor mount verify spout distance

STANDARD ACCESSORIES

EZ Level Base • FDA Recipe Non-Toxic Food & Beverage Grade Plumbing (primarily) • 30 Point Quality Assurance Factory Test

OPTIONAL

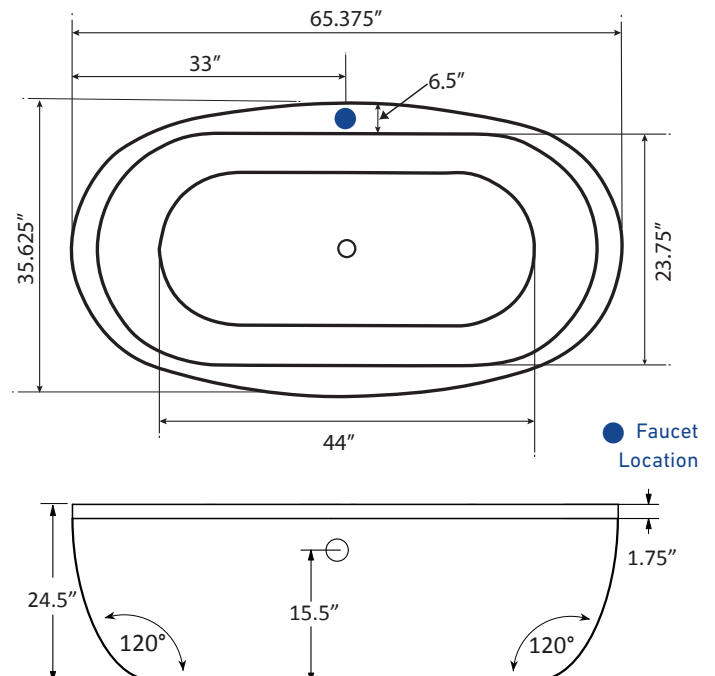
- Chromatherapy
- Underwater light
- Deluxe cushion pillow
- Sushi body cushion pillow
- Cozy heated back rest

Some optional items above will require an electrical circuit and access panel. Not all options available on all models. Check price sheet to verify.



TECHNICAL SPECIFICATIONS

Center drain.



Specifications and features are subject to change without notice and are + .25". All final measurements should be taken from tub on site.

HydroMassage Products LLC • 303-341-1845 • Fax: 303-341-1850 • www.hydromassageproducts.com