

# Ovale 6636CD | Heated Soak Series

Product Number: OVSS6636CDFS-A 66" x 36" x 25"



## STANDARD & OPTIONAL ACCESSORIES

### CIRCULATION PORTS

- ↻ 1 Inlet
- ↻ 1 Outlet

### PUMPS

Whisper Flo Heat Pump  
Quiet Pad Anti-Vibration Mounted Pump

### CONTROLS

Air Switch On/Off Control(s) for Heat Pump

### PURITY

HydroCleanse

### DRAINS & OVERFLOWS INFORMATION

- Overflow: Integral Round: Included- Polished Chrome or Brushed Nickel.  
**Optional** - White, Biscuit, Black, Polished Nickel, Oil Rubbed Bronze.
- Bath Drain: Pop up: Included- Polished Chrome or Brushed Nickel.  
**Optional** - White, Biscuit, Black, Polished Nickel, Oil Rubbed Bronze.
- In Floor Drain EZ Fast Connect (**optional**)

### FAUCET INFORMATION

- Deck Mount or Floor mount (not included)
- Access Panel required for Deck faucet (**optional**)
- Floor mount verify spout distance

### STANDARD ACCESSORIES

EZ Level Base • FDA Recipe Non-Toxic Food & Beverage Grade Plumbing (primarily) • 30 Point Quality Assurance Factory Test

### ADDITIONAL INFORMATION

6 1/2" or more space required to access equipment panel. Tub may also need to be shifted or disconnected in some situations.

Access panel equipment design and location may vary based on model.

Your licensed installer must water test and run all equipment before leaving your home to ensure proper operation and validate warranty.



### TECHNICAL SPECIFICATIONS

Center drain.  
Pump Location: Standard

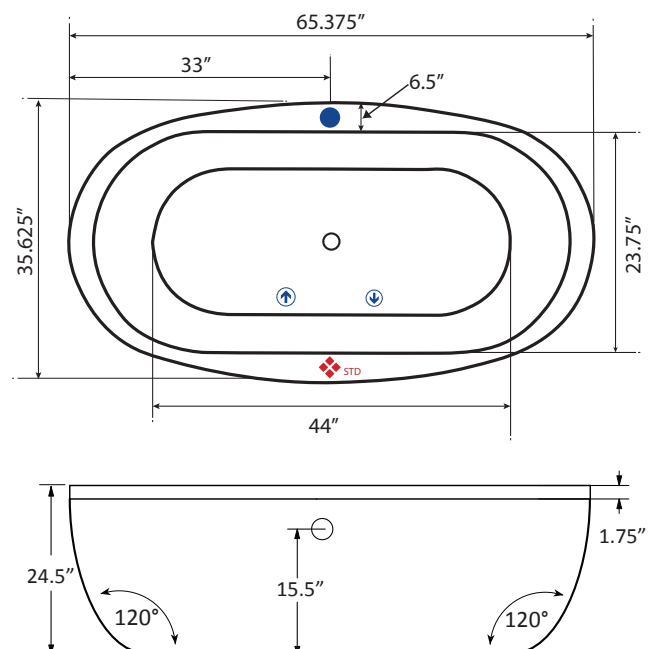
### ELECTRICAL REQUIREMENTS

(1) 115v 20AMP GFCI Circuits



● Faucet Location

◆ Equipment Access Panel



Specifications and features are subject to change without notice and are + .25". All final measurements should be taken from tub on site.

HydroMassage Products LLC • 303-341-1845 • Fax: 303-341-1850 • [www.hydrmassageproducts.com](http://www.hydrmassageproducts.com)