

ELKAY® SPECIFICATIONS

Wheelchair Lavatory Wall Mounted Models WCL1923OSDC, WCL1923OSD, WCLWO1923OSDC and WCLWO1923OSD

GENERAL

#18 gauge, type 304 (18-8), stainless steel wheelchair lavatory with 5/32" (4mm) raised rim. Compartment has 1-3/4" (44mm) radius vertical and horizontal coved corners. 2-1/2" (64mm) apron front and both sides. Exposed surfaces are hand blended to a uniform lustrous satin finish. Unexposed underside is fully undercoated to reduce condensation and dampen sound. Furnished with separate wall hanger, integral stainless steel support brackets and grid strainer with elbow and offset tailpiece. Meets ADA requirements.

(CHECK MODEL SPECIFIED)

- WCL1923OSDC
- WCLWO1923OSDC (WITH CONNECTED OVERFLOW)

FOLLOWING MODELS DO NOT INCLUDE FAUCET (INCLUDES DRAIN):

(CHECK MODEL SPECIFIED)

See other side for standard faucet hole drilling configurations.

- WCL1923OSD
- WCLWO1923OSD (WITH CONNECTED OVERFLOW)

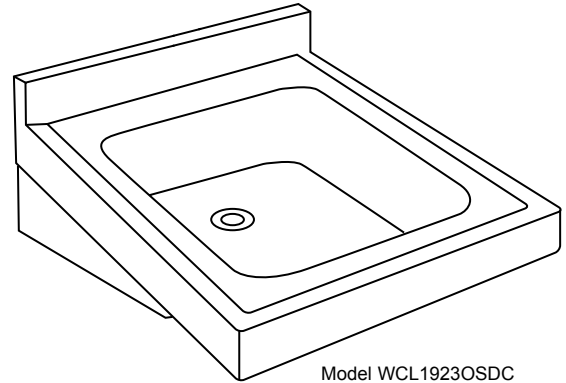
FURNISHED COMPLETE WITH:

SUPPLY: LKD232SBH5C chrome plated restricted swing goose-neck spout faucet with aerator and 5" wrist blade handles.

DRAIN: LKAD174 Chrome plated perforated strainer grid with cast brass elbow and 1-1/4" offset tailpiece.



These sinks are compliant to ADA and ANSI/ICC A117.1 accessibility requirements when installed according to the requirements outlined in these standards.



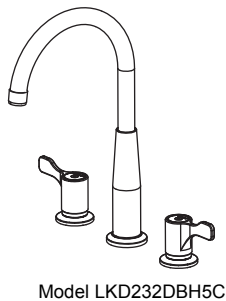
Model WCL1923OSDC



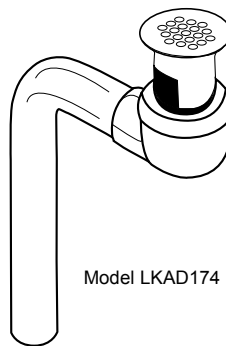
SINK DIMENSIONS*

Compliant

Model Number	A	B	C	D	E	F	G	H	I
WCL1923OSD	19 (483mm)	23 (584mm)	13½ (343mm)	16 (406mm)	2¾ (70mm)	4 (102mm)	2½ (64mm)	2⅝ (67mm)	4⅛ (125mm)
WCLWO1923OSD	19 (483mm)	23 (584mm)	13½ (343mm)	16 (406mm)	2¾ (70mm)	4 (102mm)	2½ (64mm)	2⅝ (67mm)	4⅛ (125mm)



Model LKD232DBH5C



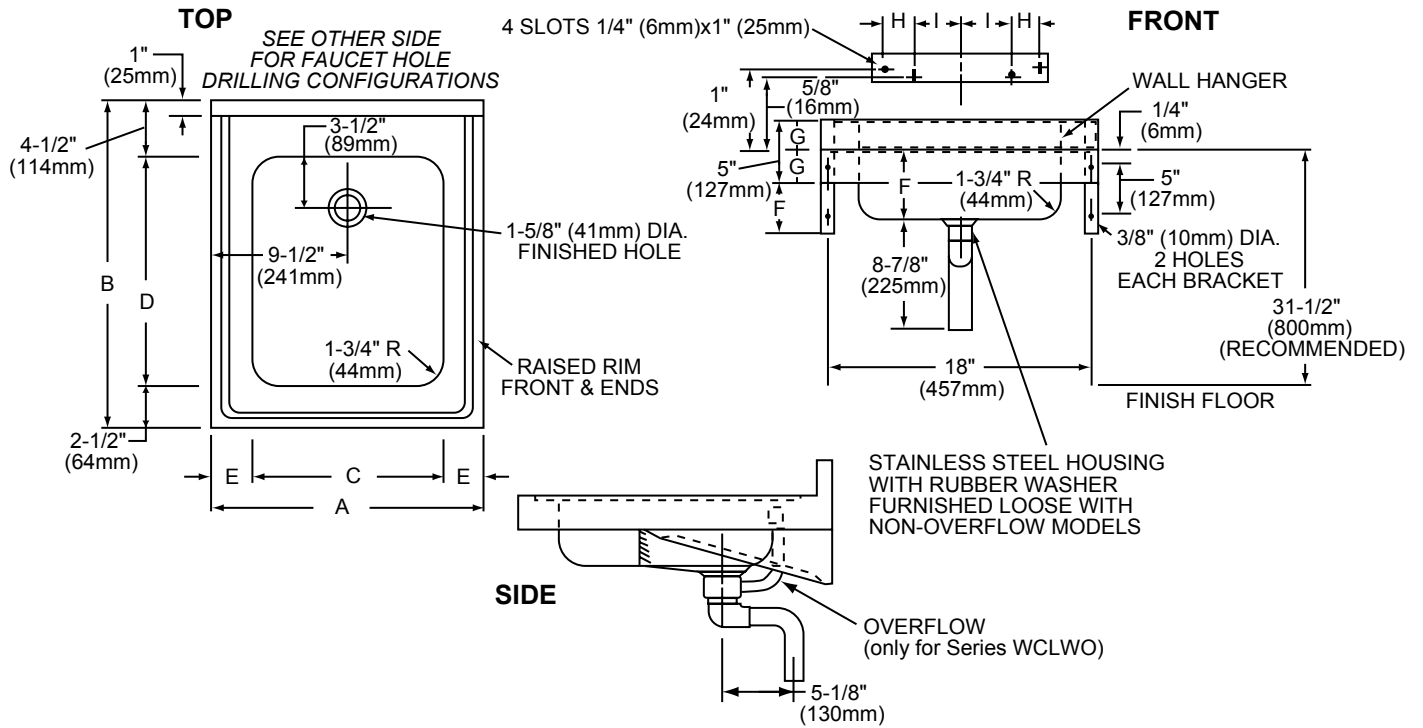
Model LKAD174

In keeping with our policy of continuing product improvement, Elkay reserves the right to change product specifications without notice. Please visit elkay.com for the most current version of Elkay product specification sheets.

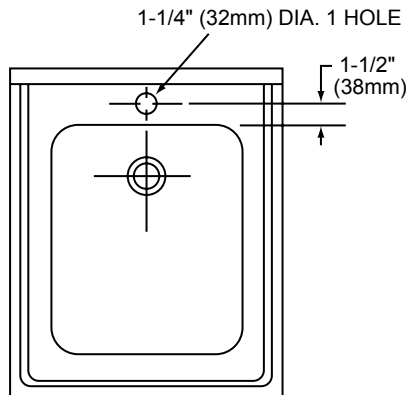
This specification describes an Elkay product with design, quality, and functional benefits to the user. When making a comparison of others producers offerings, be certain these features are not overlooked.

Wheelchair Lavatory
Wall Mounted
Models WCL1923OSDC, WCL1923OSD,
WCLWO1923OSDC and WCLWO1923OSD

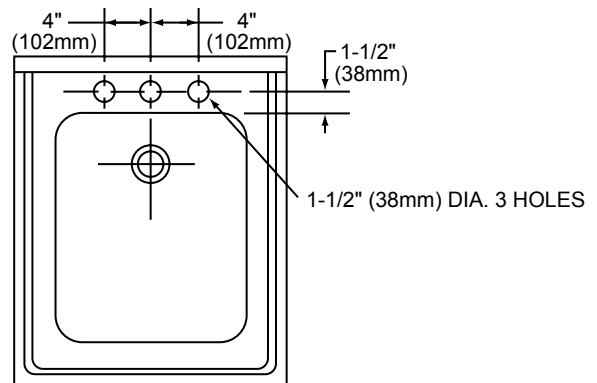
ELKAY®
SPECIFICATIONS



HOLE DRILLING CONFIGURATIONS



Models WCL1923OSD1
 WCLWO1923OSD1



Models WCL1923OSD3
 WCLWO1923OSD3

In keeping with our policy of continuing product improvement, Elkay reserves the right to change product specifications without notice. Please visit elkay.com for the most current version of Elkay product specification sheets.

This specification describes an Elkay product with design, quality, and functional benefits to the user. When making a comparison of others producers offerings, be certain these features are not overlooked.