

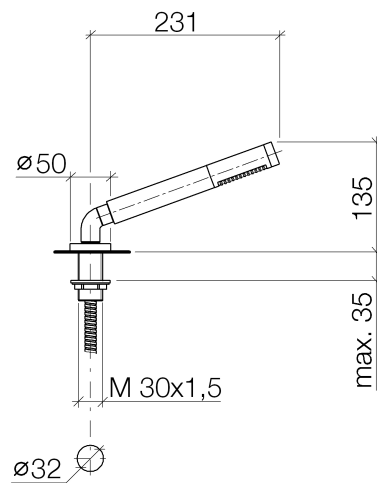


**Product specifications**

- Standard spray
- Descaling system
- Flange diameter 2"
- 1-1/4" hole diameter
- Metal shower hose 68-7/8" with anti-twist device
- Water flow rate limited to max. 2 gpm

**Subsequent shower hose replacement possible without removing the fitting due to two-part construction.**

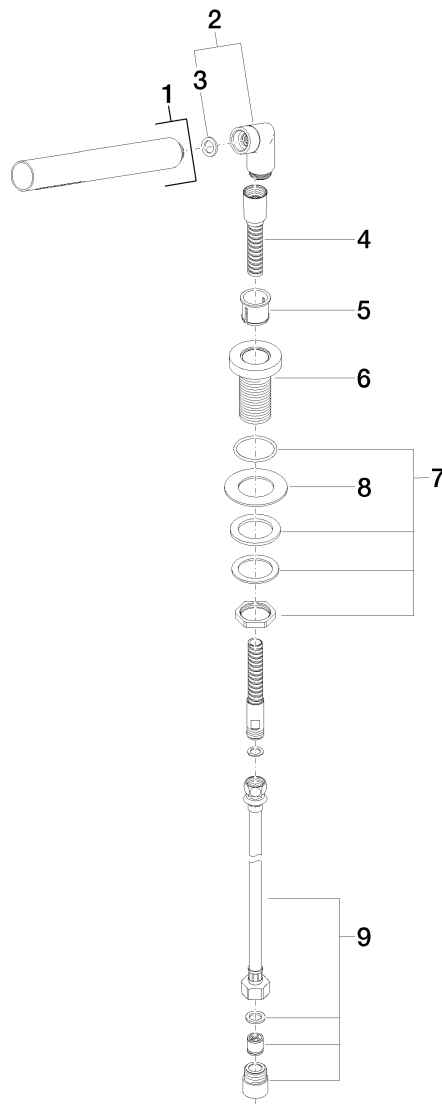
**Internal backflow preventer.**



**Surfaces**

- chrome 27702979-00
- matt platinum 27702979-06

**Exploded assembly drawing**



**Order quantity**

<b>No.</b>	<b>Article number</b>	<b>Name</b>	<b>Installation quantity</b>
1	28013979ff	shower	1
2	04240428700ff	nipple	1
3	09142000290	seal	1
4	28322970ff	hose	1
5	09184008590	sleeve	1
6	093001085ff	rosette	1
7	0430110386690	fixing set	1
8	09301106090	disc	1
9	1250597090	hose	1

