



Features

- Available in 28 finishes including 13 PVD finishes
- Brass construction with closed coil stainless steel spring
- 360° rotating arm with magnetic sprayhead docking
- One button control for aerated or spray stream
- Spray jets have easy-to-clean surface
- Ceramic disc cartridge
- Max flow rate: 1.8 gpm (6.8 L/min)

Codes/Standards Applicable

Product meets or exceeds the following:

- ASME A112.18.1/CSA B125.1
- NSF 61, NSF 372, CEC, & DOE
- Commonwealth of MA
- ADA compliant

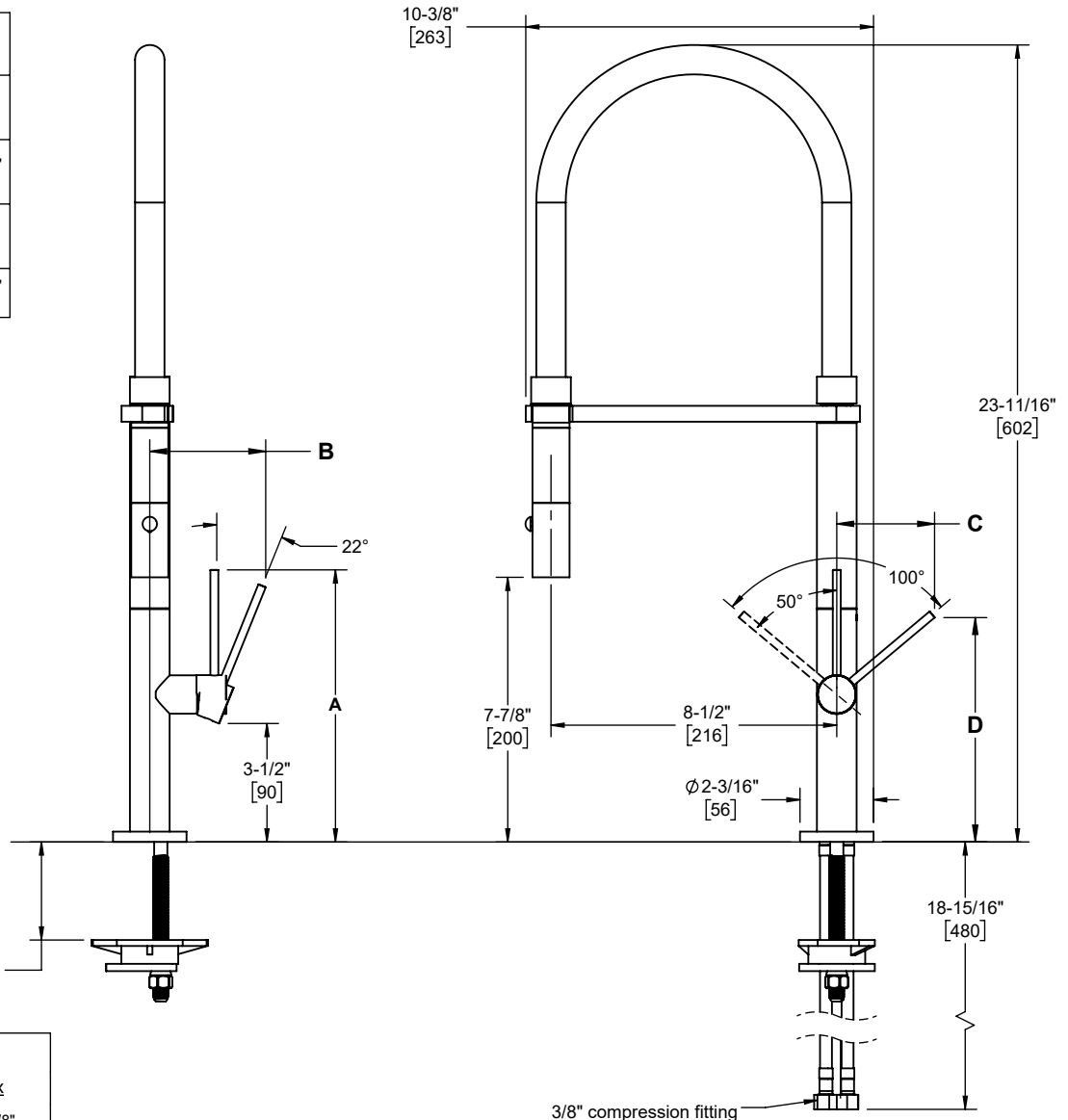


K50-150-BST Shown



XX = Handle Style

Handle Style	A	B	C	D
BST	8-1/16" [206]	3-7/16" [87]	2-15/16" [75]	6-7/8" [174]
BSST	6-7/16" [164]	2-13/16" [71]	1-5/8" [41]	5-9/16" [141]
ST	8-1/16" [206]	3-7/16" [87]	2-15/16" [75]	6-7/8" [174]
SST	6-7/16" [164]	2-13/16" [71]	1-5/8" [41]	5-9/16" [141]



Through-Hole Specifications		
Min	Recommended	Max
Ø 1-1/4" [32mm]	Ø 1-3/8" [35mm]	Ø 1-3/8" [38mm]

Specifications subject to change without notice

Dimensions are inches, rounded to 1/16"
[Dimensions in brackets are mm, rounded to 1mm]