

TUB FILLER WITH DIVERTER

Cat. No.
4011



Features:

- ▶ Old style spigot
- ▶ ¼ turn ceramic disc cartridges
- ▶ 3-³/₈" centers
- ▶ Centers can be adjusted out to 9" with use of part #4501 (Swivel arms)
- ▶ Flow rate is 3.34 GPM
- ▶ Flow rate for showerhead is 2.44 GPM
- ▶ Sunflower shower head
- ▶ Acrylic tub use only (Part# 4031 for cast iron tubs)
- ▶ **4195WS** wall support to be purchases separately
- ▶ To be used with double offset supplies #5576

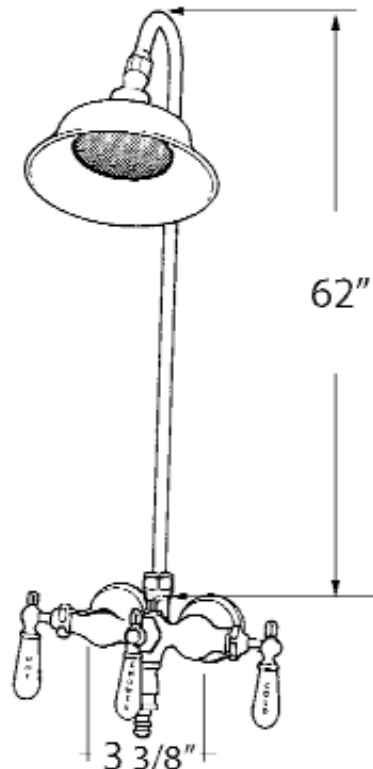
Finishes:

CP Polished Chrome
BP Polished Brass
ORB Oil Rubbed Bronze

PN Polished Nickel
SN Brushed Nickel



Riser height: 62"



Dimensions are nominal and may vary. Dimensions and specifications subject to change without notice.